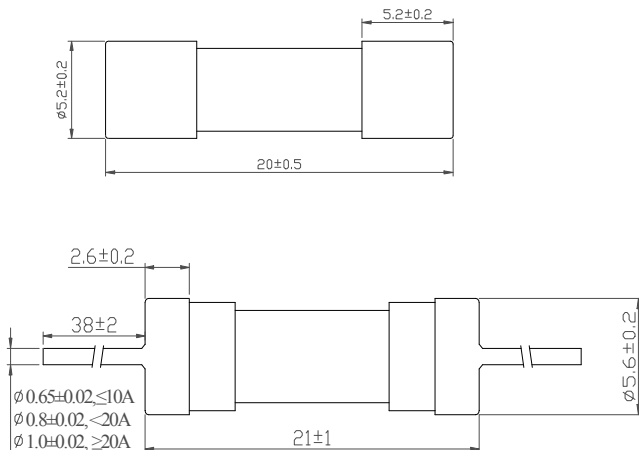


Rated Voltage 额定电压	125V-600V	Characteristic 特性	Time-lag 慢断
Rated Current 额定电流	0.5A-20A	Breaking Capacity 分断能力	--
Meet the Requirement 符合要求	UL248、IEC60127、 欧盟和 RoHS 指令	Remarks 备注	UL

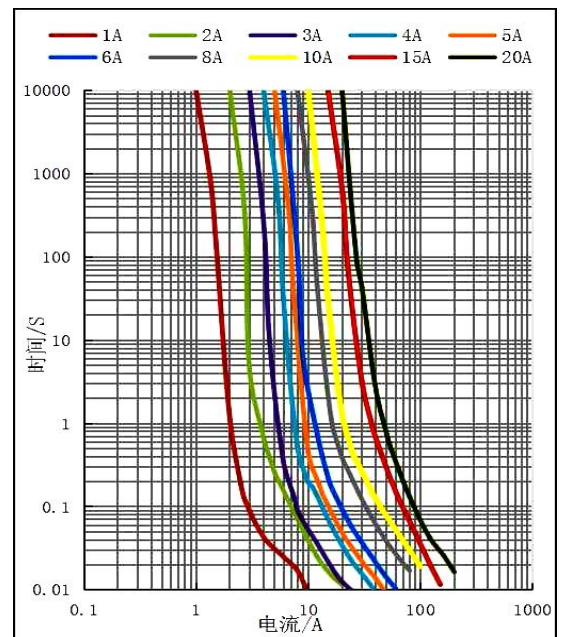


产品外形尺寸 (mm) /Overall dimensions of the product (mm)



性能标准及特性 / Performance standards and characteristics

% of Ampere Rating	Ampere Rating	Opening Time at 25°C
100%	0.1A-20A	4h, Minimum
135%		1h, Maximum
200%		2min



产品型号/Product type

Model 型号	Rated voltage 额定电压	Rated current 额定电流	Interrupting current 分断电流
HD500/HDP500	125Vac/250Vac	0.5A~20A	1500A
HD500A/HDP500A	125Vdc/250Vdc	0.5A~20A	500A
HD500B/HDP500B	250Vac	0.5A~20A	1500A
	250Vdc	0.5A~20A	500A
HD501/HDP501	400Vdc	0.5A~20A	2000A
HD501A/HDP501A	400Vac	0.5A~20A	300A
HD501A/HDP501A	400Vdc	0.5A~10A	2000A
HD502/HDP502	500Vdc	0.5A~20A	500A
HD502A/HDP502A	500Vac	0.5A~20A	300A
HD502B/HDP502B	500Vac	0.5A~20A	300A
	500Vdc		500A
HD503/HDP503	600Vac	0.5A~20A	300A
HD504/HDP504	500Vdc/600Vac	0.5A~20A	DC/500A AC/300A

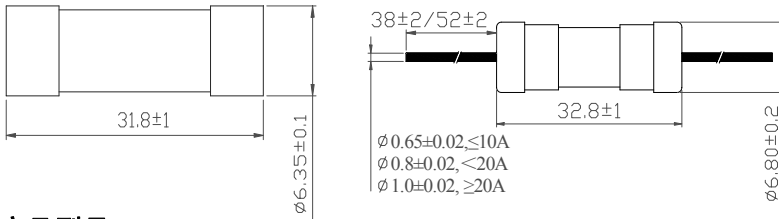
Ampere Rating (A)	100% Voltage drop (mV)	Energy Integrals I ² t (A ² sec)
1	357	0.416
2	298	3.066
3	260	3.68
4	199	11.65
5	208	17.98
6	222	28.12
8	167	86.18
10	152	134.064
15	125	168.138
20	121	463.23



Rated Voltage 额定电压	125V-1000V	Characteristic 特性	Time-lag 慢断
Rated Current 额定电流	0.5A-40A	Breaking Capacity 分断能力	--
Meet the Requirement 符合要求	UL248、IEC60127、 欧盟和 RoHS 指令	Remarks 备注	UL,TUV



产品外形尺寸 (mm) /Overall dimensions of the product (mm)



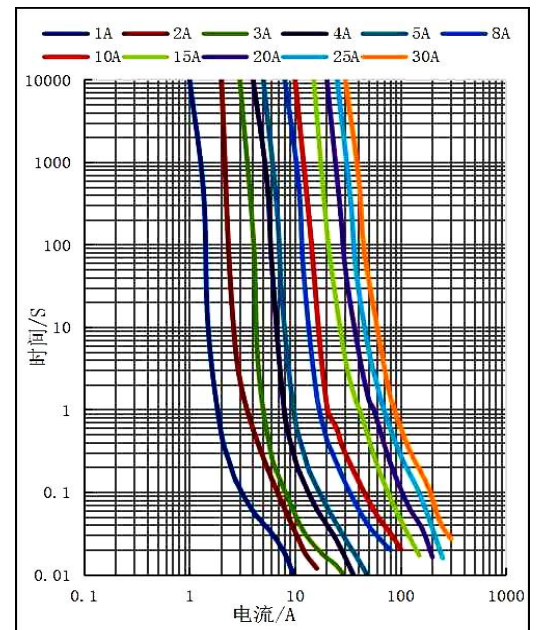
产品型号/Product typ

Model 型号	Rated voltage 额定电压	Rated current 额定电流	Interrupting current 分断电流
HD601/HD601	500Vac	0.2A~30A	1500A
HD602/HD602	500Vdc	0.2A~30A	1500A
HD603/HD603	500Vac/500Vdc	0.2A~30A	1500A
HD604/HD604	600Vac	0.2A~15A	10KA
HD605/HD605	600Vdc	0.2A~15A	10KA
HD606/HD606	600Vac/600Vdc	0.2A~15A	10KA
HD607/HD607	1000Vac	0.2A~15A	10KA
HD608/HD608	1000Vdc	0.2A~15A	10KA
HD609/HD609	1000Vac/1000Vdc	0.2A~15A	10KA
HD610/HD610	300Vac	0.2A~15A	10KA
HD611/HD611	300Vdc	0.2A~15A	10KA
HD612/HD612	300Vac/300Vdc	0.2A~15A	10KA
HD613/HD613	660Vac	0.2A~40A	1500A
HD614/HD614	660Vdc	0.2A~40A	1500A
HD615/HD615	660Vac/660Vdc	0.2A~40A	1500A
HD616/HD616	750Vac	0.2A~40A	1500A
HD617/HD617	750Vdc	0.2A~40A	1500A
HD618/HD618	750Vac/750Vdc	0.2A~40A	1500A
HD601B/HDP601B	500Vac	0.5A、30A、40A	1500A TUV
HD602B/HDP602B	500Vdc	0.5A、30A、40A	1500A TUV
HD603B/HDP603B	500Vac/500Vdc	0.5A、30A、40A	1500A TUV
HD607B/HDP607B	1000Vac	0.5A、15A	1500A TUV
HD608B/HDP608B	1000Vdc	0.5A、15A	1500A TUV
HD609B/HDP609B	1000Vac/1000Vdc	0.5A、15A	1500A TUV
HD616B/HDP6116B	750Vac	0.5A、30A、40A	1500A TUV
HD617B/HDP617B	750Vdc	0.5A、30A、40A	1500A TUV
HD618B/HDP618B	750Vac/750Vdc	0.5A、30A、40A	1500A TUV

性能标准及特性/

Performance standards and characteristics

% of Ampere Rating	Ampere Rating	Opening Time at 25°C
100%	0.1A-20A	4h, Minimum
135%		1h, Maximum
200%		2min



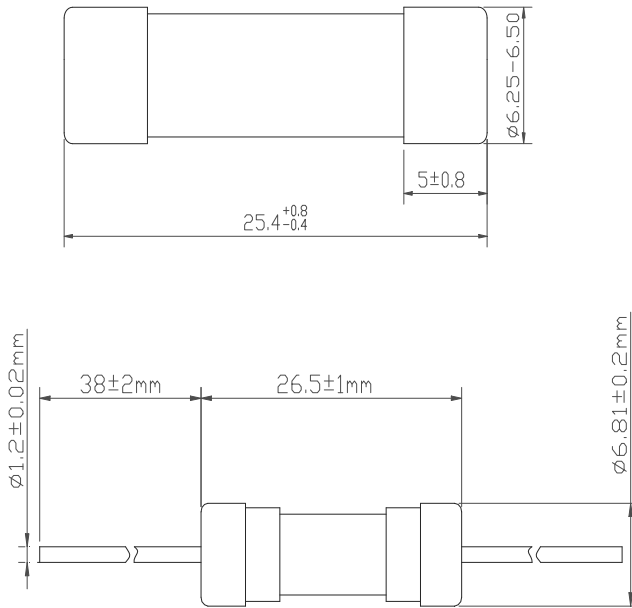
Ampere Rating (A)	100% Voltage drop(mV)	Energy Integrals I ² t (A ² sec)
1	575	0.745
3	422	3.937
4	312	11.21
5	299	29.87
8	244	91.1
10	243	164
15	191	235
20	196	464
25	171	1193
30	155	1858



Rated Voltage 额定电压	70VDC/250VAC	Characteristic 特性	Time-lag 慢断
Rated Current 额定电流	20A/30A/40A/50A	Breaking Capacity 分断能力	DC2500A@70VDC, 100A@250VAC
Meet the Requirement 符合要求	UL248、 欧盟和 RoHS 指令	Remarks 备注	UL

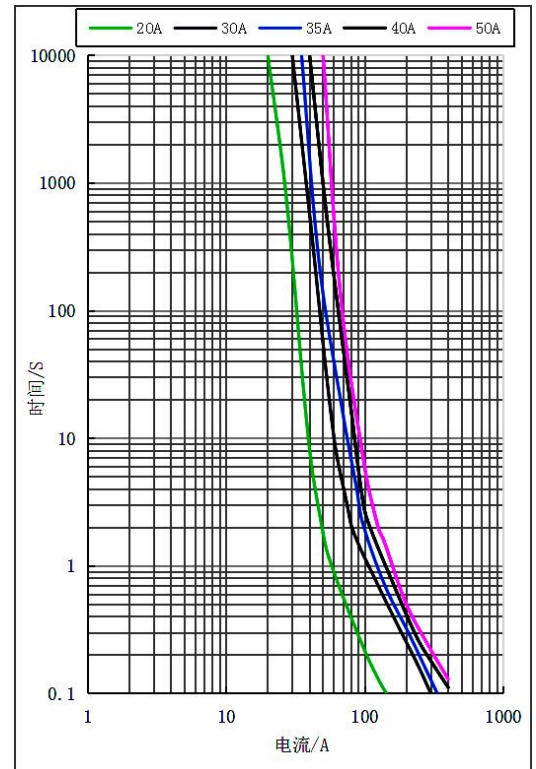


产品外形尺寸 (mm) /Overall dimensions of the product (mm)



性能标准及特性 / Performance standards and characteristics

% of Ampere Rating	Ampere Rating	Opening Time at 25°C
100%	20A-50A	4h, Minimum
200%		2min



产品型号/Product type

Model and product cod 型号及产品代码	Rated current 额定电流 A
HR70-20/HRP70-20	20
HR70-30/HRP70-30	30
HR70-35/HRP70-35	35
HR70-40/HRP70-40	40
HR70-50/HRP70-50	50

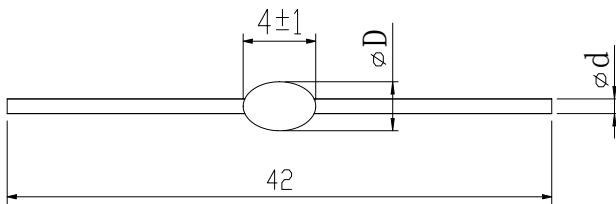
Ampere Rating (A)	100% Voltage drop(mV)	Energy Integrals I²t (A²sec)
20A	138	1600
30A	133	6000
35A	208	10000
40A	126	10738
50A	153	13480



Rated Voltage 额定电压	65VDC/250VAC	Characteristic 特性	
Rated Current 额定电流	20A-100A	Breaking Capacity 分断能力	AC 1000A (130V)
Meet the Requirement 符合要求	欧盟和 RoHS 指令	Remarks 备注	



产品外形尺寸 (mm) /Overall dimensions of the product (mm)



产品型号/Product type

额定电流 Current rating(A)	Φd±0.1 (mm)	ΦD(mm)	长度 Length(mm)	颜色 Color	额定电压 Voltage Rating(V)
20	0.39	1.8±0.8	42	Blue sky	AC 250V DC 65V
25	0.43	1.8±0.8	42	Grey	
28	0.47	1.8±0.8	42	Green	
32	0.50	1.8±0.8	42	Orange	
35	0.54	1.8±0.8	42	Black	
40	0.6	1.8±0.8	42	Blue gray	
50	0.75	1.8±0.8	42	Red	
63	0.80	1.8±0.8	42	White	
80A	1.00	1.8±0.8	42	Yellow	
100A	1.00	1.8±0.8	42	Blue	

性能标准/ Performance standards

额定电流 Current rating	熔断时间范围 Current /Clearing Time				
	1.3I _n	1.6I _n	2.5I _n	5I _n	10I _n
20A~63A	>3600s	<3600s	<10s	<1s	<100ms

注意Notes:

- 引线长度, 42mm
Lead length, 42mm
- “M-效果”点涂有不同颜色的标记, 涂层宽度为 1.8±0.8mm
“M-effect” Point is coated by different color mark, coating width is 1.8±0.8mm
- 波峰焊接: ≤260°C10秒 (最大值)
Wave-soldering: ≤260 °C 10 sec Max
- 电气特性会受到导线长度的影响, 其有效长度不应小于12mm。
The electric characteristic will be effected by the length of lead wire, and their effective length should not be less than 12mm.
- 银线保险丝的最佳有效引线长度值为 14mm; 当有效引线长度大于16mm时, 额定电流会变小, 反之亦然。
The best effective lead length value for silver wire fuses is 14mm; the current rating gets smaller with the effective lead length while the length value is larger than 16mm, and vice versa.

警告Caution:

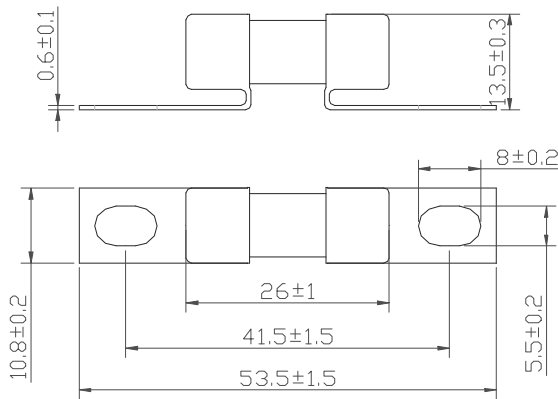
- 工作温度为 -5°C-40°C; 24小时内环境温度的等效值不得超过35°C;
The operating temperature are -5 °C -40 °C; The equable value of ambient air temperature must not exceed 35 °C within 24 hours;
- 保险丝工作地点的海拔不超过海拔2000 m;在最高温度40°C下, 相对湿度不超过50%;
The altitude of the site of operating of fuse links does not exceed 2000 m above sea level; The relative humidity does not exceed50% at the maximum temperature of 40 °C;
- 如有机械损坏, 必须更换保险丝;
The fuse links must be changed if there are mechanical damage;
- 保险丝安装牢固, 无晃动和冲击。
The fuse links are installed without shaking and impact obviously.



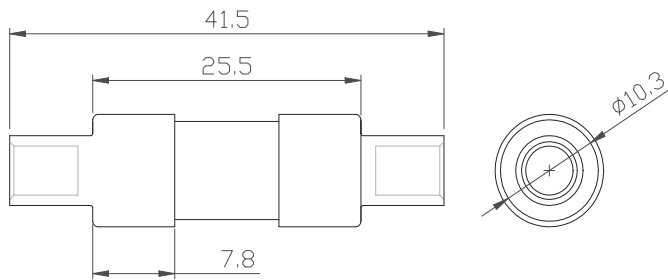
Rated Voltage 额定电压	80VDC/100VDC/200VDC	Characteristic 特性	aR
Rated Current 额定电流	10A-80A	Breaking Capacity 分断能力	1.5KA
Meet the Requirement 符合要求	IEC60269、GB/T31465、 UL248、欧盟和 RoHS 指令	Remarks 备注	UL, TUV



产品外形尺寸 (mm) /Overall dimensions of the product (mm)



HL10L.J01/HL10L1.J01/HL10L2.J01



HL10L.J04/HL10L1.J04/HL10L2.J04

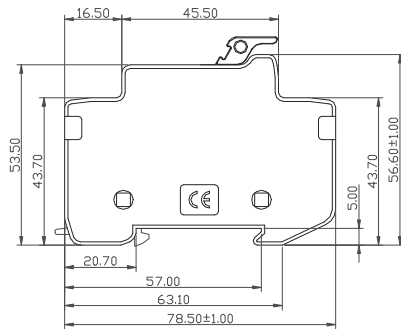
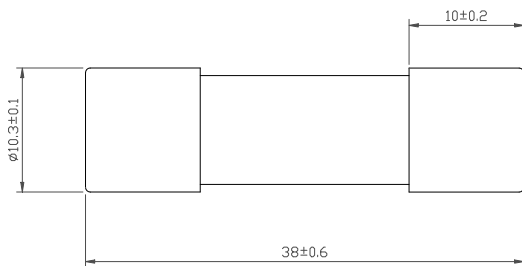
产品型号/Product type

Model 型号	Rated current 额定电流 A	Rated voltage 额定电压 V	Breaking capacity 分断能力
HL10L.J01/HL10L.J02/HL10L.J04	10A~80A	80VDC	1.5KA
HL10L1.J01/HL10L1.J02/HL10L1.J04	10A~80A	100Vdc	1.5KA
HL10L2.J01/HL10L2.J02/HL10L2.J04	10A~80A	200Vdc	1.5KA

Rated Voltage 额定电压	80VDC-1000VDC	Characteristic 特性	aR
Rated Current 额定电流	1A-100A	Breaking Capacity 分断能力	
Meet the Requirement 符合要求	UL248、IEC60127、 欧盟和 RoHS 指令	Remarks 备注	UL, TUV

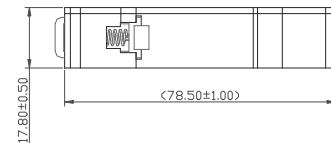


产品外形尺寸 (mm) /Overall dimensions of the product (mm)



单体产品型号/Single product model

Model 型号	Rated current 额定电流 A	Rated voltage 额定电压 V	Breaking capacity 分断能力
HD10PV	1A~40A	1000Vac	1.5KA
	1A~20A	1000Vdc	33KA
	1A~40A	1000Vdc	1.5KA
HD10P	1A~20A	750Vac/dc	33KA
HD10P	1A~40A	750Vdc	1.5KA
HD10V	1A~50A	700Vdc	6KA
HD10DX	1A~20A	500Vac/dc	33KA
HD10X	1A~20A	500Vac	33KA
	30A~100A	500Vac	1.5KA
HD10D	1A~20A	500Vdc	33KA
HD10D	1A~50A	500Vdc	6KA
HD10MN	1A~20A	690Vac/dc	33KA
HD10N	1A~20A	690Vac	
HD10M	1A~20A	690Vdc	
HD10G	1A~20A	600Vdc	6KA
HD10H	1A~20A	600Vac	
HD10C	30A~100A	400Vdc	1.5KA
HD10F	1A~20A	400Vac	6KA
HD10A	1A~20A	250Vac	
HD10L	60A	80VDC	



保险管座图/Safety pipe seat drawing

保险管座特性表/Characteristics of fuse socket

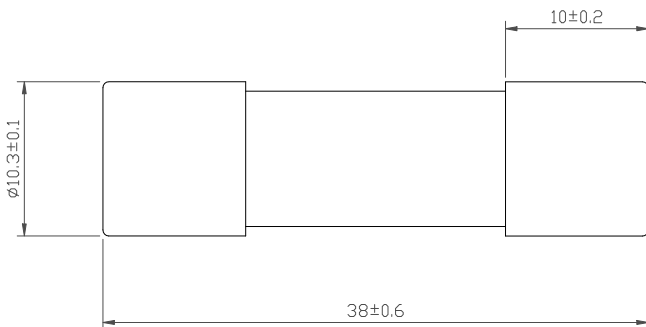
产品型号/Product model	HDPV
尺寸/Size	10x38
额定电流/Rated current	30A
额定电压/Rated voltage	1000VDC
分断电流/Breaking current	33KA
接线端子紧固力矩/Terminal fastening moment	1.7N·m (14.75IN·LBS)
铜连接导体截面积/Copper junction conductor cross-sectional area	2~10mm ² (14~6AWG)
组件/Assembly	Material quality 材质
壳体/Monoblock	PBT plastics PBT 塑料
端子/Terminal	Copper alloy plating high temperature tin 铜合金镀高温锡



Rated Voltage 额定电压	80VDC-1000VDC	Characteristic 特性	aR
Rated Current 额定电流	20A-100A	Breaking Capacity 分断能力	
Meet the Requirement 符合要求	UL248、IEC60127、 欧盟和 RoHS 指令	Remarks 备注	UL, TUV



工程图及材料表 / Drawing and material sheet



Assembly 组件	Material quality 材质
Fusant 熔体	Alloy 合金
End cap 端帽	Copper alloy tin plating 铜合金镀锡
Noumenon 本体	Fibre pipe 纤维管
Infilling 填充物	Quartz sand 石英砂

产品型号/Product type

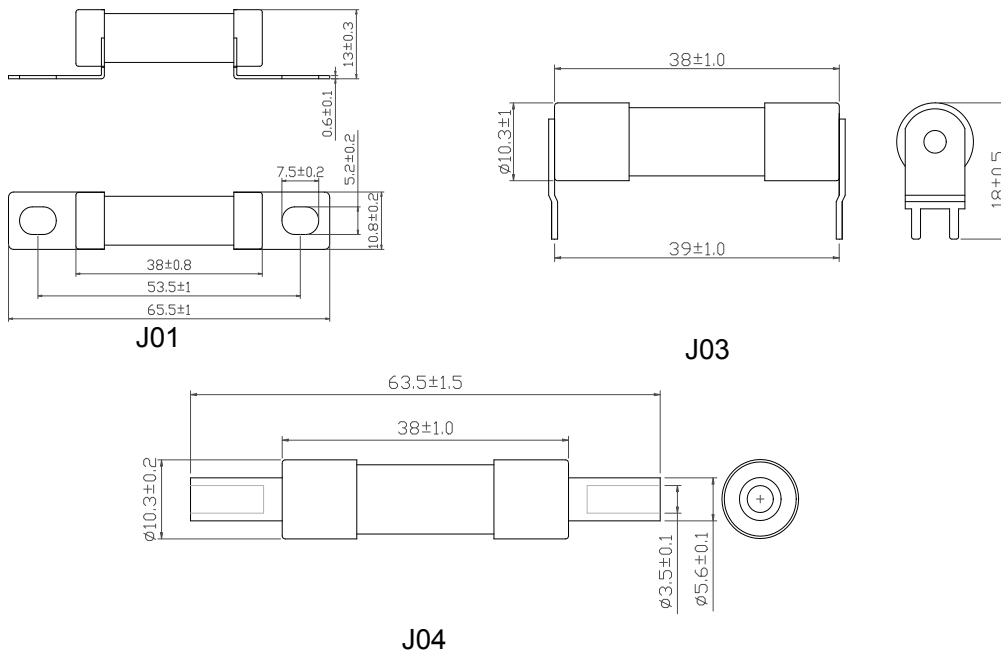
Model 型号	Rated current 额定电流 A	Rated voltage 额定电压 V	Breaking capacity 分断能力
HDQ10PV	25A~30A	1000Vdc	10KA
HDQ10P	25A~30A	750Vac/dc	
HDQ10D	25A~40A	500Vdc	
HDQ10MN	25A~40A	690Vac/dc	
HDQ10N	25A~40A	690Vac	
HDQ10M	25A~40A	690Vdc	
HDQ10X	30A~100A	500Vac	1.5KA
HDQ10C	30A~100A	400Vdc	
HLQ10L1	30A~100A	200Vdc	
HLQ10L2	30A~100A	100Vdc	
HLQ10L	30A~100A	80Vdc	



Rated Voltage 额定电压	80VDC-1000VDC	Characteristic 特性	aR
Rated Current 额定电流	1A-100A	Breaking Capacity 分断能力	
Meet the Requirement 符合要求	UL248、IEC60127、 欧盟和 RoHS 指令	Remarks 备注	UL,TUV



J01/J03/J04 产品外形尺寸 (mm) /Overall dimensions of the product (mm)



产品型号/Product type

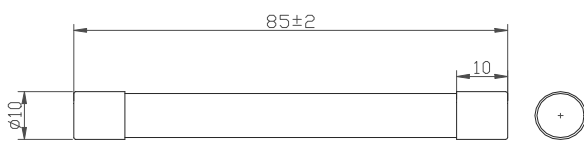
Model 型号	Rated current 额定电流 A	Rated voltage 额定电压 V	Breaking capacity 分断能力	Body material 管体材质
HD10PV.J01/ HD10PV.J03/ HD10PV.J04	1A~40A	1000Vac/dc	1.5KA	陶瓷/玻纤 Ceramic / glass fiber
HD10P.J01/ HD10P.J03/ HD10P.J04	1A~40A	750Vac/dc	1.5KA	
HD10V.J01/ HD10V.J03/ HD10V.J04	1A~50A	700Vac/dc	6KA	
HD10D.J01/ HD10D.J03/ HD10D.J04	1A~50A	500Vac/dc	6KA	
HD10C/HD10C.J01/HD10C.J03/HD10C.J04	30A~100A	400Vdc	1.5KA	陶瓷 Ceramic
HD10X/HD10X.J01/HD10X.J03/HD10X.J04	30A~100A	500Vac	1.5KA	
HL10L1/HL10L1.J01/HL10L1.J03/HL10L1.J04	30A~100A	200Vdc	1.5KA	
HL10L2/HL10L2.J01/HL10L2.J03/HL10L2.J04	30A~100A	100Vdc	1.5KA	
HL10L/HL10L.J01/HL10L.J02/HL10L.J03/HL10L.J04	30A~100A	80Vdc	1.5KA	玻纤 glass fiber
HDQ10C/HDQ10C.J01/HDQ10C.J03/HDQ10C.J04	30A~100A	400Vdc	1.5KA	
HDQ10X/HDQ10X.J01/HDQ10X.J03/HDQ10X.J04	30A~100A	500Vac	1.5KA	
HLQ10L1/HLQ10L1.J01/HLQ10L1.J03/HLQ10L1.J04	30A~100A	200Vdc	1.5KA	
HLQ10L2/HLQ10L2.J01/HLQ10L2.J03/HLQ10L2.J04	30A~100A	100Vdc	1.5KA	
HLQ10L/HLQ10L.J01/HLQ10L.J03/HLQ10L.J04	30A~100A	80Vdc	1.5KA	



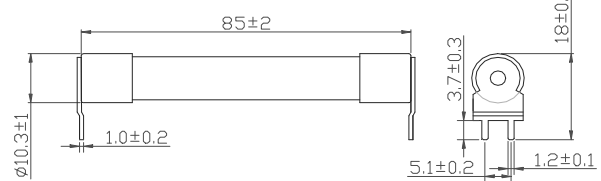
Rated Voltage 额定电压	DC1500V	Characteristic 特性	gPV/aR
Rated Current 额定电流	1A-40A	Breaking Capacity 分断能力	DC10KA
Meet the Requirement 符合要求	UL248-13、 IEC60269.6、 欧盟和 RoHS 指令	Remarks 备注	UL,TUV



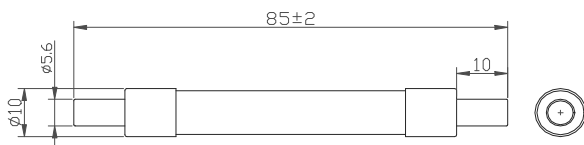
产品外形尺寸 (mm) /Overall dimensions of the product (mm)



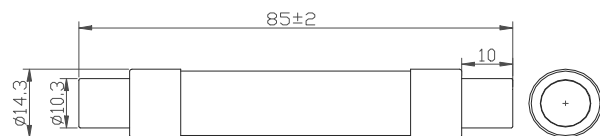
HD10R4/HD10W4



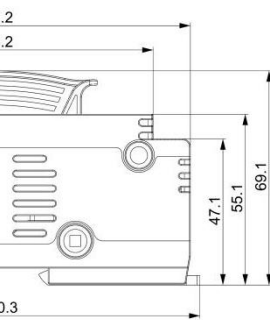
HD10R4.J03/HD10W4.J03



HD10R5



HD14R6

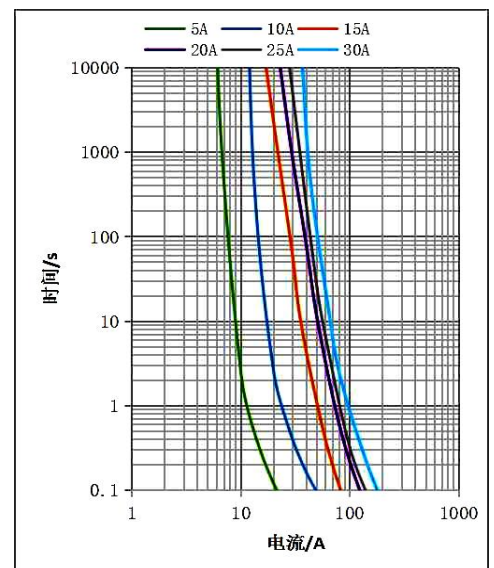


HDPV5

性能标准/Performance criteria

Blowing	Fusing time 熔断时间
200%	<4min
135%	<1h
113%	>1h
100%	>4h

电流特性曲线图/Current characteristic curve



产品型号/Product type

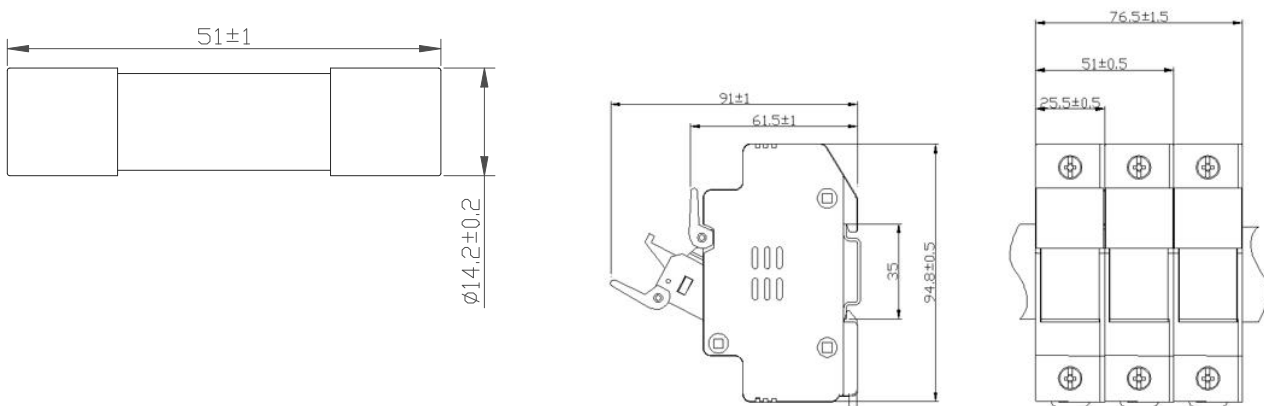
Model 型号	Rated current 额定电流 A	Rated voltage 额定电压 V	Breaking capacity 分断能力
HD10R4/HD10W4	1A~20A	1500Vdc	10KA
HD10R4.J03/HD10W4.J03	1A~40A	1500Vdc	10KA
HD10R5	1A~20A	1500Vdc	10KA
HD14R6	20A~40A	1500Vdc	10KA
HDPV5	40A	1500Vdc	10KA



Rated Voltage 额定电压	400VAC~700VDC	Characteristic 特性	aR
Rated Current 额定电流	1A-63A	Breaking Capacity 分断能力	30KA
Meet the Requirement 符合要求	UL248-13、 欧盟和 RoHS 指令	Remarks 备注	UL



产品外形尺寸 (mm) /Overall dimensions of the product (mm)



HD14PV1

产品型号/Product type

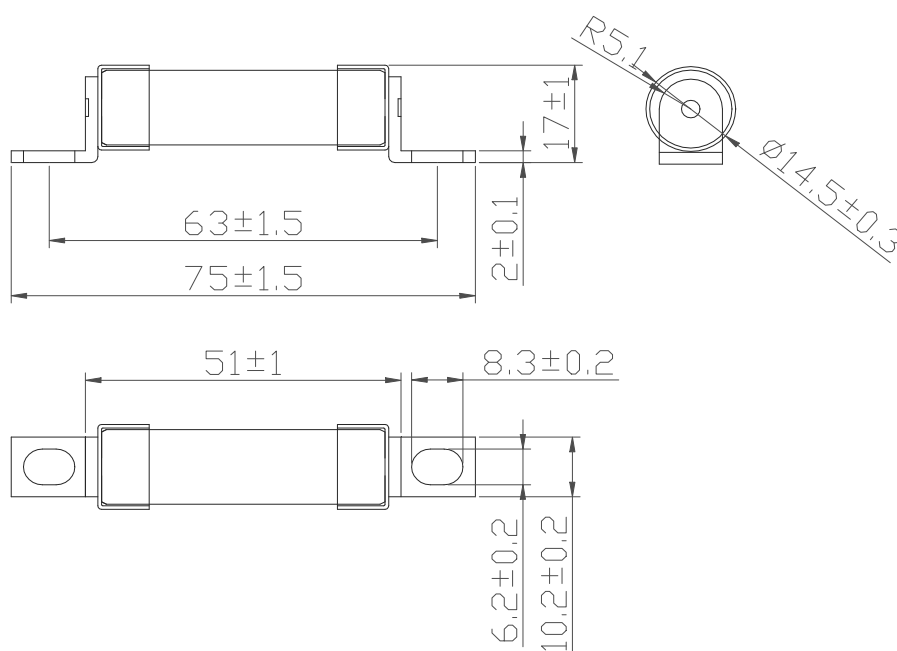
Model 型号	Rated current 额定电流 A	Rated voltage 额定电压 V	Breaking capacity 分断能力	Body material 本体材料
HD14N	1A~63A	700Vdc	30KA	陶瓷 Ceramic
HD14X	1A~63A	690Vac		
HD14D	1A~63A	500Vdc		
HD14H	1A~63A	500Vac		
HD14S	1A~63A	400Vac		
HDQ14N	1A~63A	700Vdc	30KA	
HDQ14X	1A~63A	690Vac		
HDQ14D	1A~63A	500Vdc		
HDQ14H	1A~63A	500Vac		
HDQ14S	1A~63A	400Vac		
HD14PV1	63A	1000VDC	10KA	PBT
	30A	1500VDC		



Rated Voltage 额定电压	400VAC/500VAC	Characteristic 特性	aR
Rated Current 额定电流	10A-150A	Breaking Capacity 分断能力	6KA
Meet the Requirement 符合要求	UL248-13、 欧盟和 RoHS 指令	Remarks 备注	UL



产品外形尺寸 (mm) /Overall dimensions of the product (mm)



产品型号/Product type

Model 型号	Rated current 额定电流 A	Rated voltage 额定电压 V	Breaking capacity 分断能力
HD14S.J05	10A~150A	400Vac	6KA
HD14H.J05	10A~150A	500Vac	

Rated Voltage 额定电压	AC240V/DC150V	Type Protection 保护类别	aR
Rated Current 额定电流	6A-900A	Breaking Capacity 分断能力	AC100KA、 DC20KA
Meet the Requirement 符合要求	UL248-13、ISO8820、 JASO-D622、GB/T13539、 欧盟和 RoHS 指令	Remarks 备注	UL, CCC

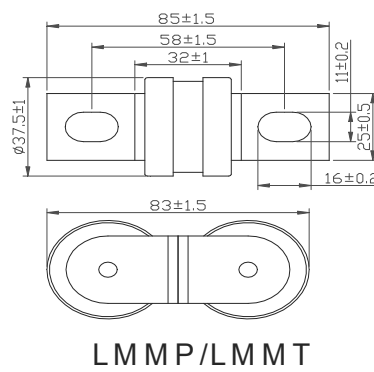
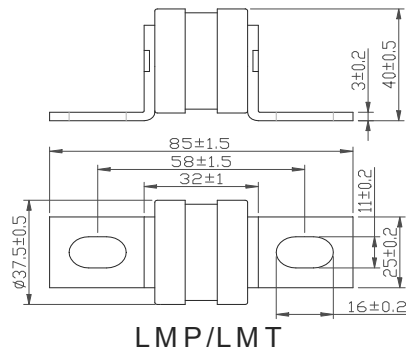
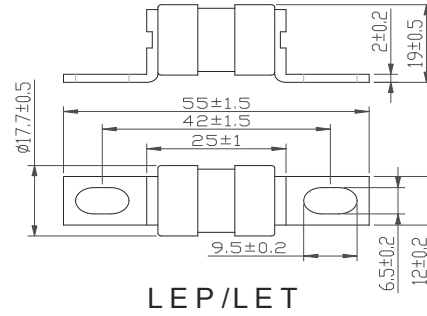
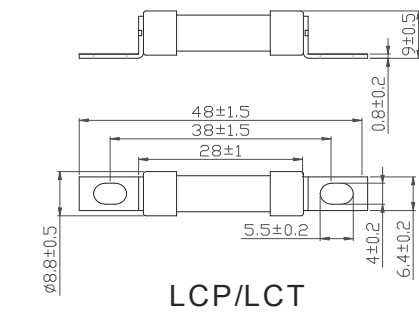


产品型号/Product type

Number r 序号	Model 型号	Product code 产品代码	Rated current 额定电流 A	I²t (A²Sec)		Power consumption 功率损耗 W
				弧前	熔断	
1	LCP/LCT	HBD-6LCP/HBD-6LCT	6	2.00	8.8	1.00
		HBD-10LCP/HBD-10LCT	10	3.76	21.6	2.48
		HBD-12LCP/HBD-12LCT	12	6.92	31.6	2.48
		HBD-16LCP/HBD-16LCT	16	19.7	98.4	2.50
		HBD-20LCP/HBD-20LCT	20	24.6	156.0	3.82
2	LEP/LET	HBD-25LEP/HBD-25LET	25	17.6	246.0	3.96
		HBD-32LEP/HBD-32LET	32	31.2	442.0	4.75
		HBD-35LEP/HBD-35LET	35	49.3	590.0	4.90
		HBD-50LEP/HBD-50LET	50	97.6	136.5	6.80
		HBD-63LEP/HBD-63LET	63	176.0	2120.0	8.95
		HBD-80LEP/HBD-80LET	80	293.0	3695.0	9.70
		HBD-100LEP/HBD-100LET	100	580.0	7300.0	10.2
		HBD-125LEP/HBD-125LET	125	597.0	7380.0	15.8
		HBD-160LEP/HBD-160LET	160	1060.0	15440.0	19.0
3	LMP/LMT	HBD-180LEP/HBD-180LET	180	1540.0	27950.0	21.0
		HBD-160LMP/HBD-160LMT	160	1065.0	15440.0	16.5
		HBD-200LMP/HBD-200LMT	200	1460.0	19300.0	26.8
		HBD-250LMP/HBD-250LMT	250	3100.0	38670.0	28.0
		HBD-315LMP/HBD-315LMT	315	5830.0	72000.0	33.0
		HBD-350LMP/HBD-350LMT	350	7760.0	97200.0	34.7
		HBD-400LMP/HBD-400LMT	400	13550.0	153000.0	38.9
		HBD-450LMP/HBD-450LMT	450	17470.0	210100.0	42.3
		HBB-500LMP/HBD-500LMT	500	21250.0	259400.0	58.3
5	LMMP/LM MT	HBB-550LMP/HBD-550LMT	550	25500.0	313000.0	76.0
		HBD-400LMMP/HBD-400LM	400	5830.0	76500.0	57.7
		HBD-500LMMP/HBD-500LM	500	13600.0	162400.0	62.0
		HBD-630LMMP/HBD-630LM	630	23200.0	285300.0	74.0
		HBD-710LMMP/HBD-710LM	710	31000.0	437000.0	77.0
		HBD-800LMMP/HBD-800LM	800	50400.0	569000.0	80.1
		HBD-900LMMP/HBD-900LM	900	72600.0	758000.0	96.0



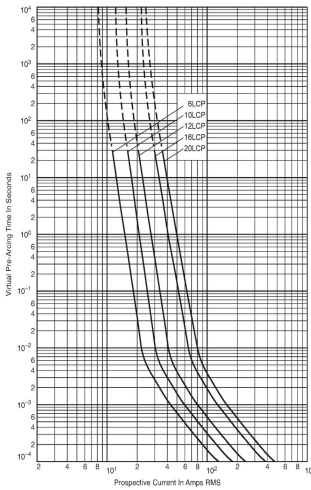
产品外形尺寸 (mm) /Overall dimensions of the product (mm)



电流特性曲线图/Current characteristic curve

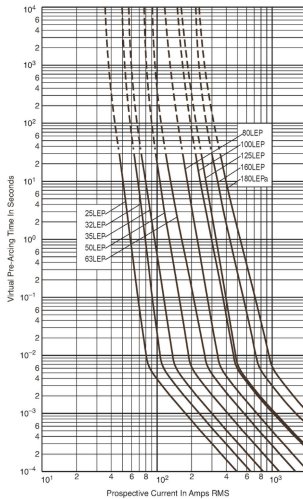
LCP 6-20A: 240V

Time-current curve



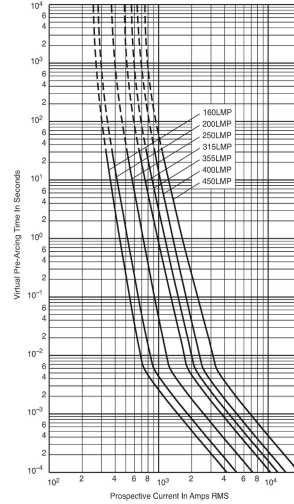
LEP 25-180A: 240V

Time-current curve



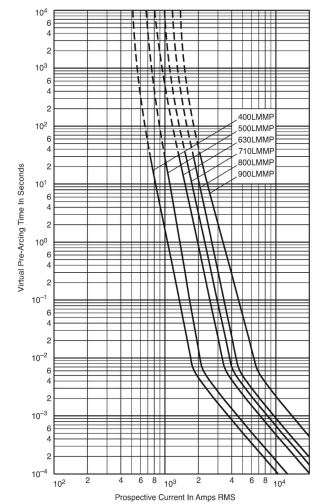
LMP 160-450A: 240V

Time-current curve

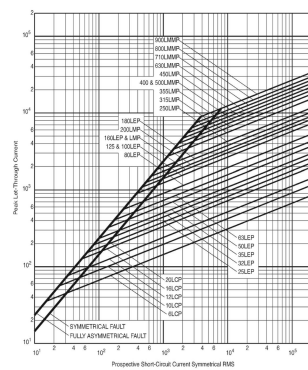


LMMP 400-900A: 240V

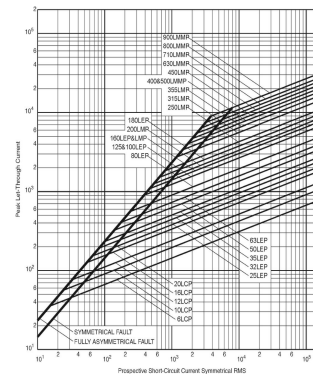
Time-current curve



Peak let-through curve



Peak let-through curve



Rated Voltage 额定电压	DC250V、AC300V	Type Protection 保护类别	aR
Rated Current 额定电流	20A-500A	Breaking Capacity 分断能力	AC100KA、 DC20KA
Meet the Requirement 符合要求	UL248-13、ISO8820、 JASO-D622、GB/T13539、 欧盟和 RoHS 指令	Remarks 备注	UL, CCC

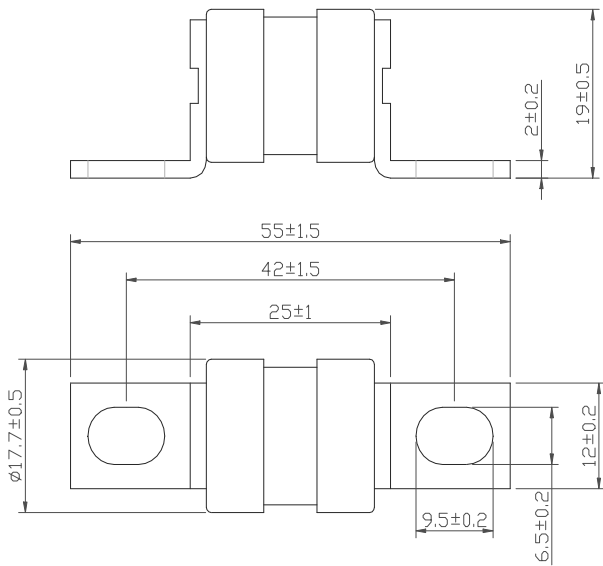


产品型号/Product type

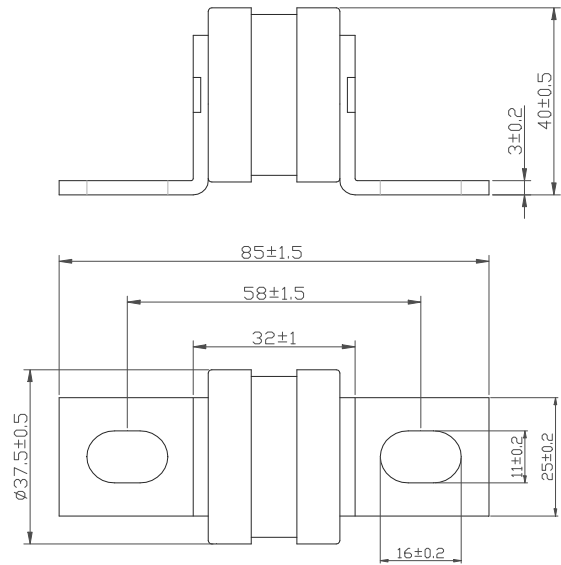
Number 序号	Model 型号	Product code 产品代码	Rated current 额定电流 A	I ² t (A ² Sec)		Power consumption 功率损耗 W
				弧前	熔断	
1	LEP/LET	HBB-20LEP/HBB-20LET	20	13.5	115.0	3.42
		HBD-25LEP/HBB-25LET	25	17.6	246.0	3.96
		HBD-32LEP/HBB-32LET	32	31.2	442.0	4.75
		HBD-35LEP/HBB-35LET	35	49.3	590.0	4.90
		HBD-50LEP/HBB-50LET	50	97.6	136.5	6.80
		HBD-63LEP/HBB-63LET	63	176.0	2120.0	8.95
		HBD-80LEP/HBB-80LET	80	293.0	3695.0	9.70
		HBD-100LEP/HBB-100LET	100	580.0	7300.0	10.2
		HBD-125LEP/HBB-125LET	125	597.0	7380.0	15.8
		HBD-160LEP/HBB-160LET	160	1060.0	15440.0	19.0
		HBD-180LEP/HBB-180LET	180	1540.0	27950.0	21.0
2	LMP/LET	HBB-50LMP/HBB-50LMT	50	107.5	1570.0	8.2
		HBB-63LMP/HBB-63LMT	63	165.0	2485.0	9.3
		HBB-80LMP/HBB-80LMT	80	275.0	4000.0	10.5
		HBB-100LMP/HBB-100LMT	100	420.0	6250.0	12.3
		HBB-125LMP/HBB-125LMT	125	670.0	11500.0	14.0
		HBB-160LMP/HBB-160LMT	160	1065.0	15440.0	16.5
		HBB-200LMP/HBB-200LMT	200	1460.0	19300.0	26.8
		HBB-250LMP/HBB-250LMT	250	3100.0	38670.0	28.0
		HBB-300LMP/HBB-300LMT	300	5280.0	65300.0	30.0
		HBB-315LMP/HBB-315LMT	315	5830.0	72000.0	33.0
		HBB-350LMP/HBB-350LMT	350	7760.0	97200.0	34.7
		HBB-400LMP/HBB-400LMT	400	13550.0	153000.0	38.9
		HBB-450LMP/HBB-450LMT	450	17470.0	210100.0	47.3
		HBB-500LMP/HBB-500LMT	500	21250.0	259400.0	58.3



产品外形尺寸 (mm) /Overall dimensions of the product (mm)



LEP/LET

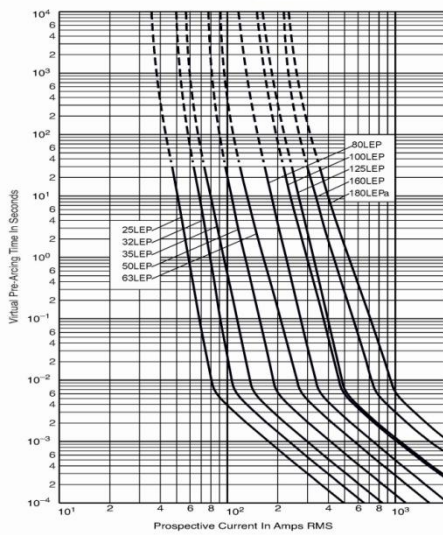


LMP/LMT

电流特性曲线图/Current characteristic curve

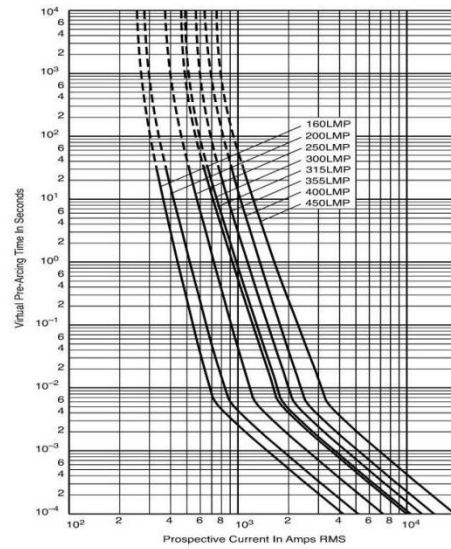
LEP 25-180A: 250V

Time-current curve



LMP 160-450A: 240V

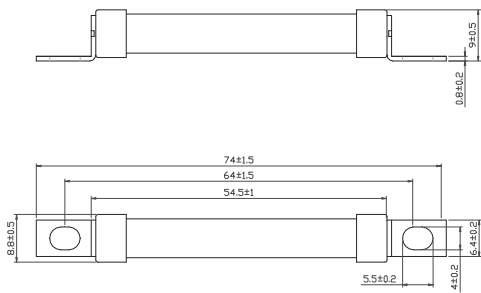
Time-current curve



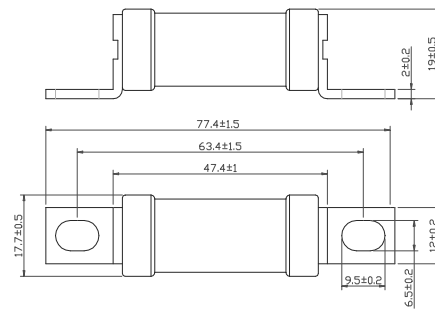
Rated Voltage 额定电压	DC550V/AC690V	Type Protection 保护类别	aR
Rated Current 额定电流	6A-700A	Breaking Capacity 分断能力	AC100KA、 DC20KA
Meet the Requirement 符合要求	UL248-13、ISO8820、 JASO-D622、 GB/T13539、 欧盟和 RoHS 指令	Remarks 备注	UL, CCC



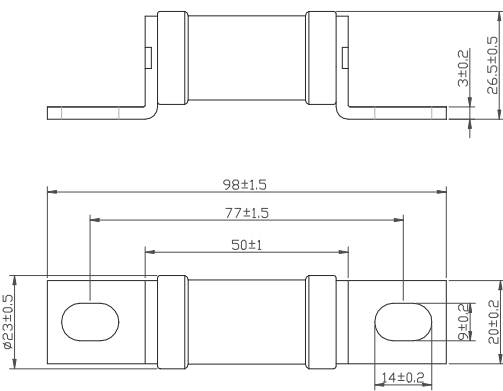
产品外形尺寸 (mm) /Overall dimensions of the product (mm)



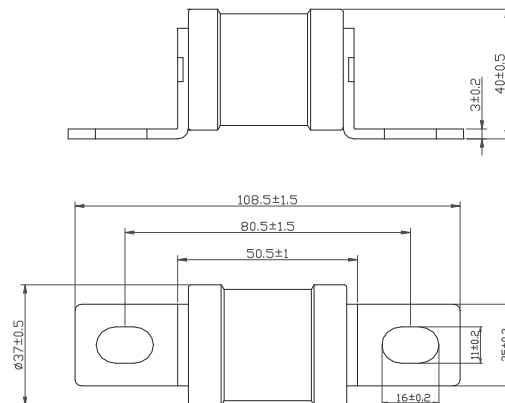
CP/CT



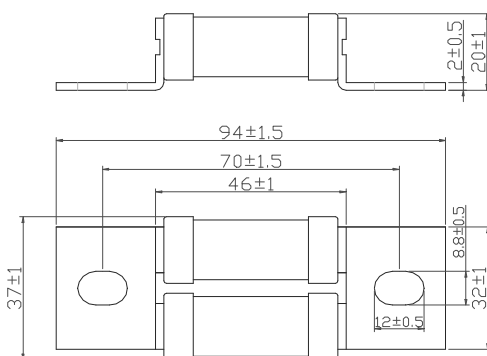
EP/ET



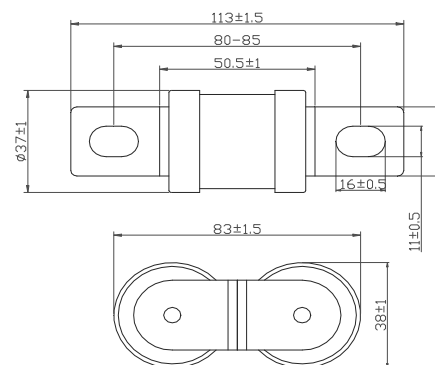
HP/HT



SM/ST



EEP/EET



SMM/STT



产品型号/Product type

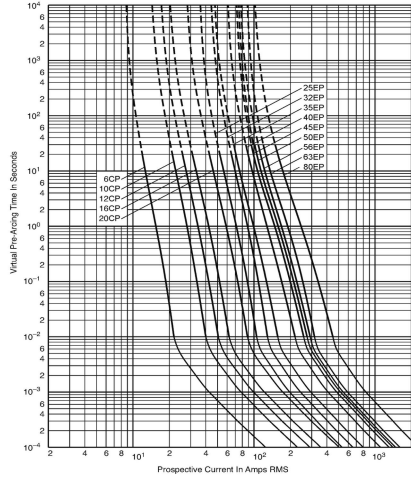
Number 序号	Model 型号	Product code 产品代码	Rated current 额定电流 A	I ² t (A ² Sec)		Power consumption 功率损耗 W
				弧前	熔断	
1	CP/CT	HBD-6CP/HBD-6CT	6	2.0	13.0	1.9
		HBD-10CP/HBD-10CT	10	7.1	47.2	2.9
		HBD-12CP/HBD-12CT	12	10.2	65.9	2.9
		HBD-16CP/HBD-16CT	16	16.3	107.8	6.8
		HBD-20CP/HBD-20CT	20	32.4	215.6	6.8
2	EP/ET	HBD-16EP/HBD-16ET	16	25.6	130.5	3.0
		HBD-20EP/HBD-20ET	20	40.0	225.0	3.5
		HBD-25EP/HBD-25ET	25	25.3	255.0	6.8
		HBD-32EP/HBD-32ET	32	31.7	346.5	11.0
		HBD-35EP/HBD-35ET	35	51.5	495.0	11.0
		HBD-40EP/HBD-40ET	40	104.0	903.0	8.9
		HBD-45EP/HBD-45ET	45	106.5	1110.0	10.0
		HBD-50EP/HBD-50ET	50	118.5	1290.0	11.0
		HBD-56EP/HBD-56ET	56	137.0	1530.0	13.7
		HBD-63EP/HBD-63ET	63	168.0	1978.0	15.6
		HBD-80EP/HBD-80ET	80	353.0	3890.0	18.0
3	HP/HT	HBD-100EP/HBD-100ET	100	1200.0	4350.0	17.0
		HBD-32HP/HBD-32HT	32	108	13000	10.5
		HBD-40HP/HBD-40HT	40	165	2100	13.0
		HBD-50HP/HBD-50HT	50	260	3350	16.0
		HBD-63HP/HBD-63HT	63	480	6000	19.0
		HBD-80HP/HBD-80HT	80	900	11200	22.8
		HBD-100HP/HBD-100HT	100	1460	18500	28.0
		HBD-125HP/HBD-125HT	125	2400	30200	34.5
		HBD-160HP/HBD-160HT	160	4300	54000	37.5
4	EEP/EET	HBD-200HP/HBD-200HT	200	8100	101000	40.0
		HBD-90EEP/HBD-90EET	90	492	4510	19.0
		HBD-110EEP/HBD-110EET	110	605	6565	26.5
		HBD-140EEP/HBD-140EET	140	1060	11880	34.0
		HBD-160EEP/HBD-160EET	160	1470	16490	38.2
5	SM/ST	HBD-180SM/HBD-180ST	180	1358	13230	39.0
		HBD-200SM/HBD-200ST	200	2548	17760	40.0
		HBD-225SM/HBD-225ST	225	3552	25200	42.8
		HBD-250SM/HBD-250ST	250	4990	3560	47.5
		HBD-280SM/HBD-280ST	280	6860	51000	48.2
		HBD-315SM/HBD-315ST	315	9760	71600	54.5
		HBD-350SM/HBD-350ST	350	14100	96600	55.6
		HBD-400SM/HBD-400ST	400	18500	125000	58.0
6	SMM/ST T	HBD-400SMM/HBD-400STT	400	9680	69600	83.9
		HBD-450SMM/HBD-450STT	450	14000	94800	90.0
		HBD-500SMM/HBD-500STT	500	19200	136500	99.8
		HBD-550SMM/HBD-550STT	550	27600	195650	100.3
		HBD-630SMM/HBD-630STT	630	40800	272800	101.9
		HBD-700SMM/HBD-700STT	700	54000	373800	119.2



电流特性曲线图/Current characteristic curve

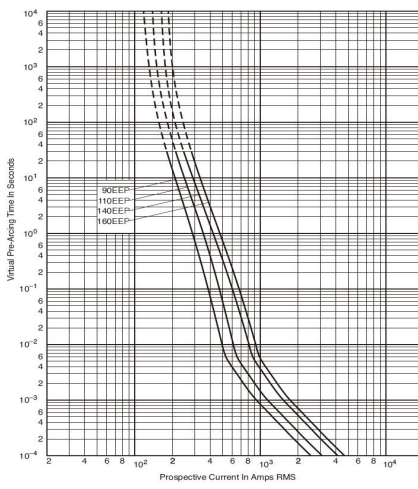
CP 6-20, EP 25-80A: 690V

Time-current curve

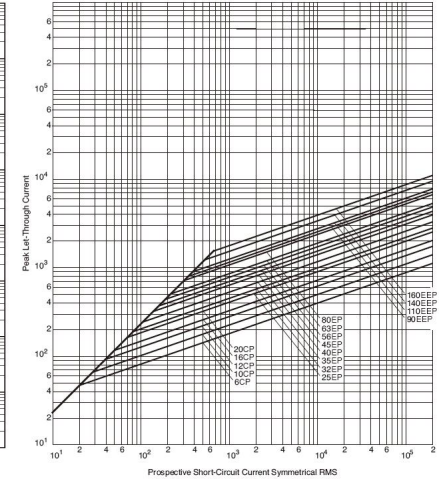


EEP 90-160A

Time-current curve

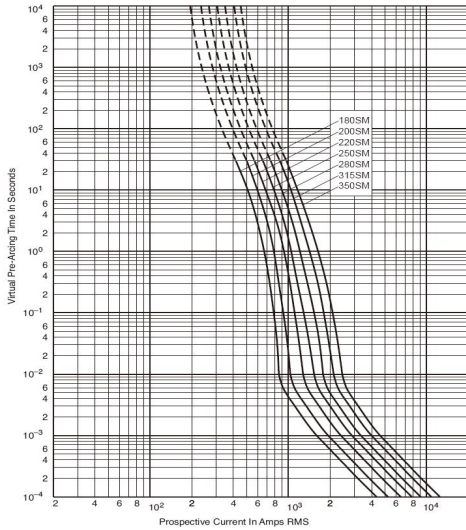


Peak let-through curve



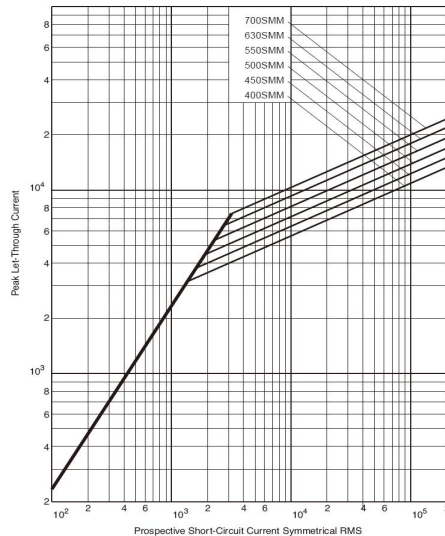
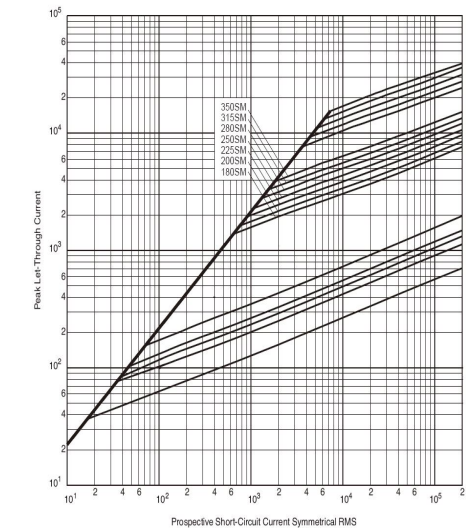
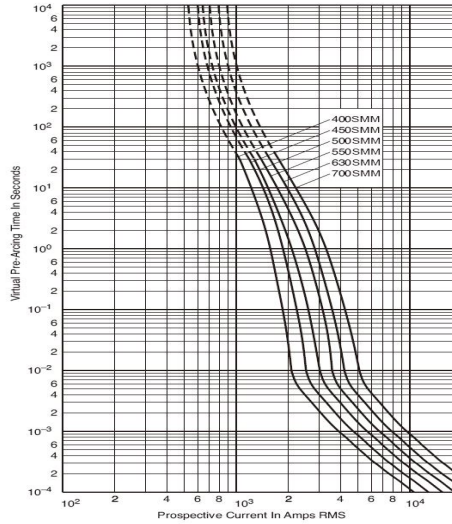
SM 180-350A: 690V

Time-current curve



SMM 400-700A: 690V

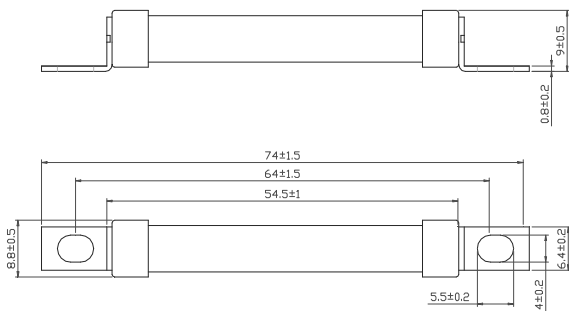
Time-current curve



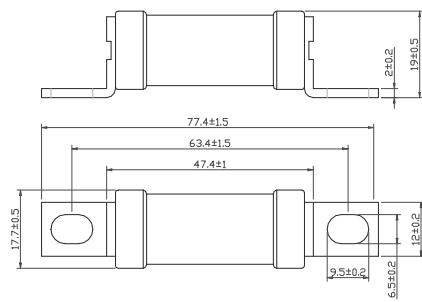
Rated Voltage 额定电压	DC750V 或低于	Type Protection 保护类别	aR
Rated Current 额定电流	6A-700A	Breaking Capacity 分断能力	DC20KA
Meet the Requirement 符合要求	UL248-20、ISO8820、JASO-D622、GB/T13539、欧盟和 RoHS 指令	Remarks 备注	UL, CCC



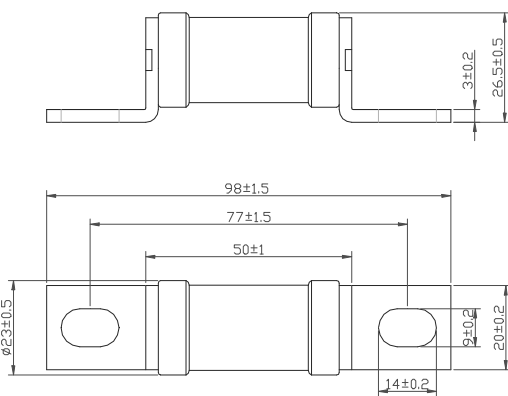
产品外形尺寸 (mm) /Overall dimensions of the product (mm)



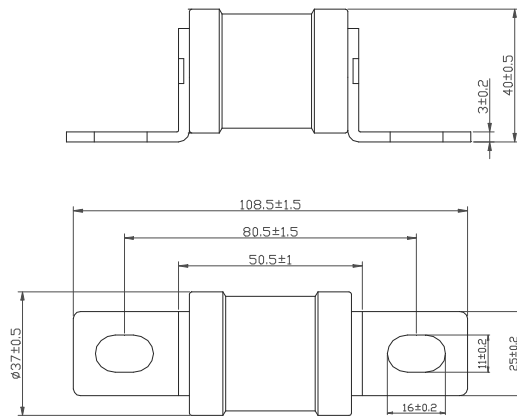
CPL/CTL



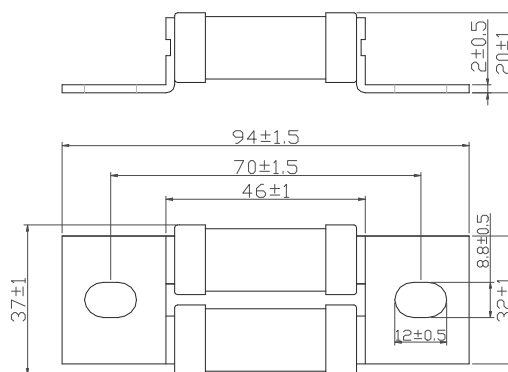
EPL/ETL



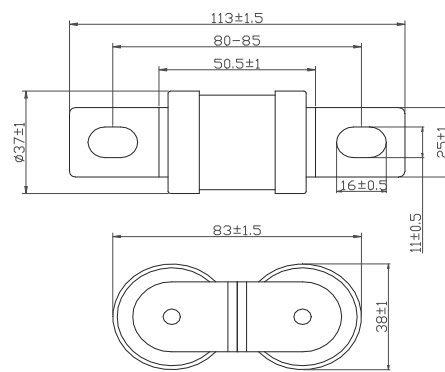
HPL/HTL



SML/STL



EEPL/EETL



SMML/STTL



产品型号/Product type

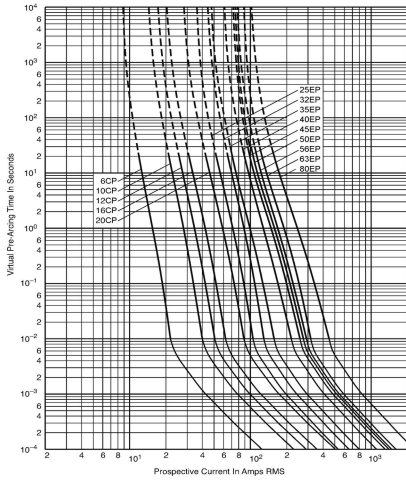
Number 序号	Model 型号	Product code 产品代码	Rated current 额定电流 A	I ² t (A ² Sec)		Power consumption 功率损耗 W
				弧前	熔断	
1	CPL/CTL	HBD-6CPL/HBD-6CTL	6	2.0	13.0	1.9
		HBD-10CPL/HBD-10CTL	10	7.1	47.2	2.9
		HBD-12CPL/HBD-12CTL	12	10.2	65.9	2.9
		HBD-16CPL/HBD-16CTL	16	16.3	107.8	6.8
		HBD-20CPL/HBD-20CTL	20	32.4	215.6	6.8
2	EPL/ETL	HBD-16EPL/HBD-16ETL	16	25.6	130.5	3.0
		HBD-20EPL/HBD-20ETL	20	40.0	225.0	3.5
		HBD-25EPL/HBD-25ETL	25	25.3	255.0	6.8
		HBD-32EPL/HBD-32ETL	32	31.7	346.5	11.0
		HBD-35EPL/HBD-35ETL	35	51.5	495.0	11.0
		HBD-40EPL/HBD-40ETL	40	104.0	903.0	8.9
		HBD-45EPL/HBD-45ETL	45	106.5	1110.0	10.0
		HBD-50EPL/HBD-50ETL	50	118.5	1290.0	11.0
		HBD-56EPL/HBD-56ETL	56	137	1530	13.7
		HBD-63EPL/HBD-63ETL	63	168	1978	15.6
		HBD-80EPL/HBD-80ETL	80	353	3890	18.0
3	HPL/HTL	HBD-100EPL/HBD-100ETL	100	1200	4350	17.0
		HBD-32HPL/HBD-32HTL	32	108	13000	10.5
		HBD-40HPL/HBD-40HTL	40	165	2100	13.0
		HBD-50HPL/HBD-50HTL	50	260	3350	16.0
		HBD-63HPL/HBD-63HTL	63	480	6000	19.0
		HBD-80HPL/HBD-80HTL	80	900	11200	22.8
		HBD-100HPL/HBD-100HTL	100	1460	18500	28.0
		HBD-125HPL/HBD-125HTL	125	2400	30200	34.5
4	EEPL/EETL	HBD-160HPL/HBD-160HTL	160	4300	54000	37.5
		HBD-200HPL/HBD-200HTL	200	8100	101000	40.0
		HBD-90EEPL/HBD-90EETL	90	492	4510	19.0
		HBD-110EEPL/HBD-110EETL	110	605	6565	26.5
5	SML/STL	HBD-140EEPL/HBD-140EETL	140	1060	11880	34.0
		HBD-160EEPL/HBD-160EETL	160	1470	16490	38.2
		HBD-180SML/HBD-180STL	180	1358	13230	39.0
		HBD-200SML/HBD-200STL	200	2548	17760	40.0
		HBD-225SML/HBD-225STL	225	3552	25200	42.8
		HBD-250SML/HBD-250STL	250	4990	3560	47.5
		HBD-280SML/HBD-280STL	280	6860	51000	48.2
		HBD-315SML/HBD-315STL	315	9760	71600	54.5
6	SMML/STTL	HBD-350SML/HBD-350STL	350	14100	96600	55.6
		HBD-400SML/HBD-400STL	400	18500	125000	58.0
		HBD-400SMML/HBD-400STT	400	9680	69600	83.9
		HBD-450SMML/HBD-450STT	450	14000	94800	90.0
		HBD-500SMML/HBD-500STT	500	19200	136500	99.8
		HBD-550SMML/HBD-550STT	550	27600	195650	100.3
		HBD-630SMML/HBD-630STT	630	40800	272800	101.9
		HBD-700SMML/HBD-700STT	700	54000	373800	119.2



电流特性曲线图/Current characteristic curve

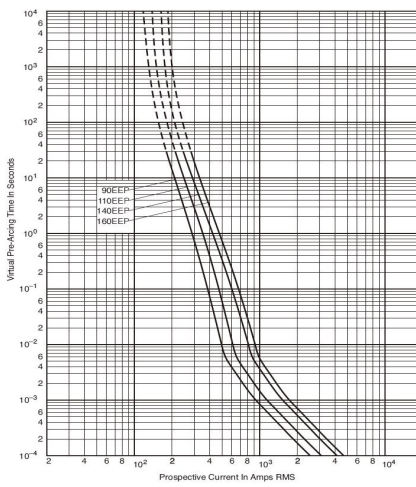
CP 6-20, EP 25-80A: 690V

Time-current curve

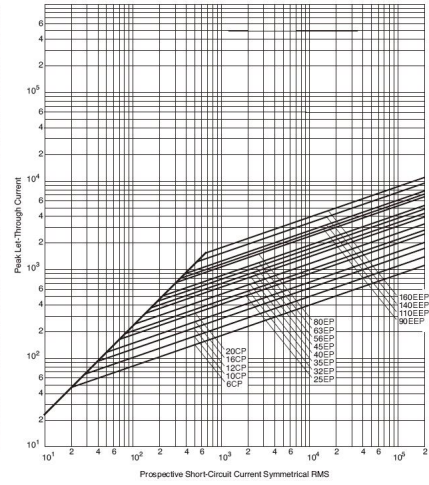


EEP 90-160A

Time-current curve

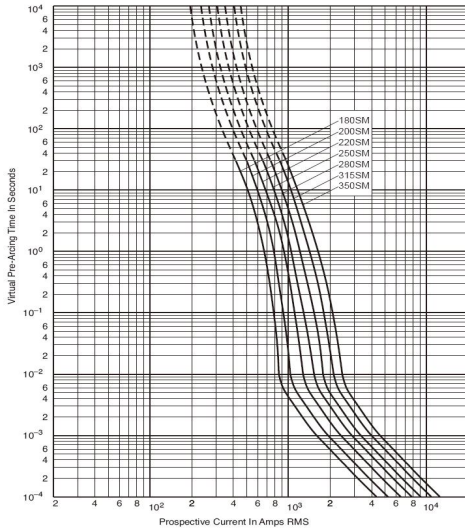


Peak let-through curve



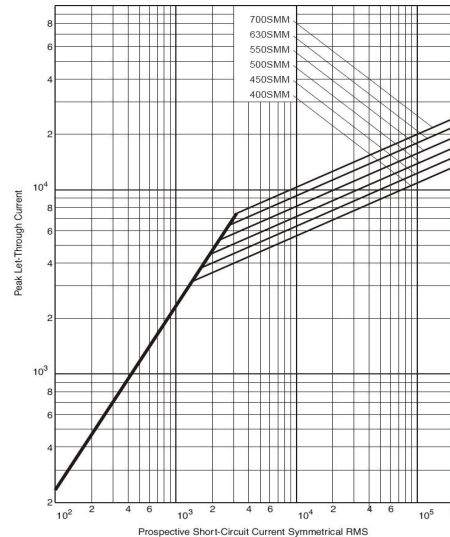
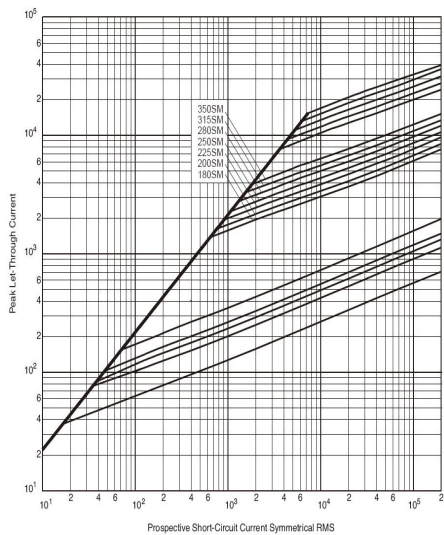
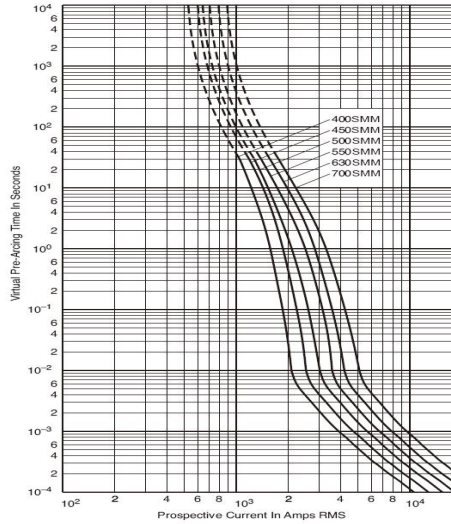
SM 180-350A: 690V

Time-current curve



SMM 400-700A: 690V

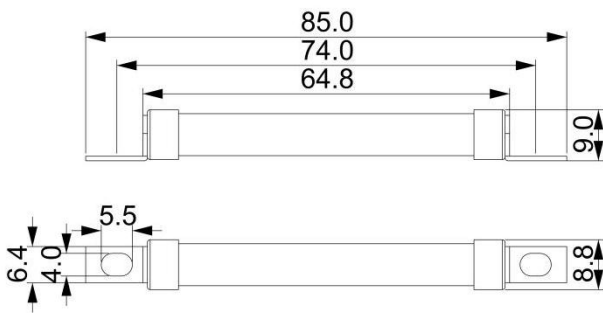
Time-current curve



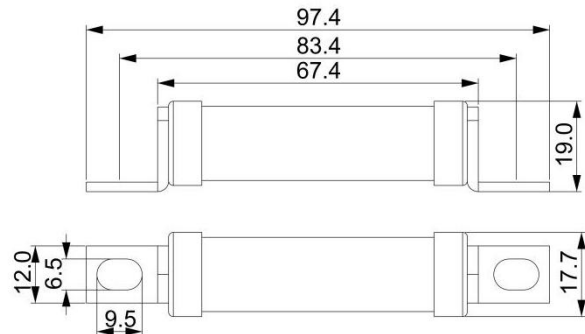
Rated Voltage 额定电压	DC1000V 或低于	Type Protection 保护类别	aR
Rated Current 额定电流	6A-700A	Breaking Capacity 分断能力	DC20KA
Meet the Requirement 符合要求	UL248-20、ISO8820、 JASO-D622、 GB/T13539、 欧盟和 RoHS 指令	Remarks 备注	UL 认证中



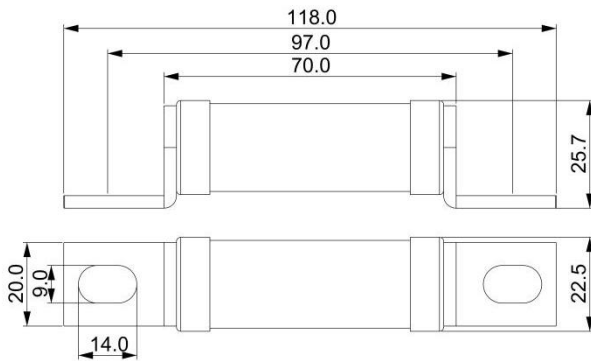
产品外形尺寸 (mm) /Overall dimensions of the product (mm)



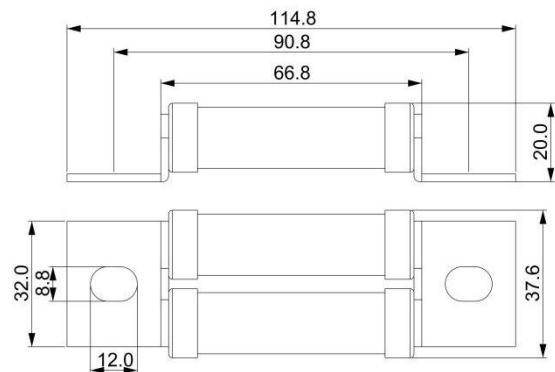
CPJ



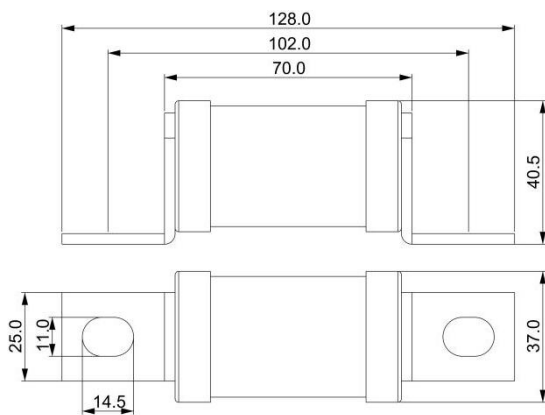
EPJ



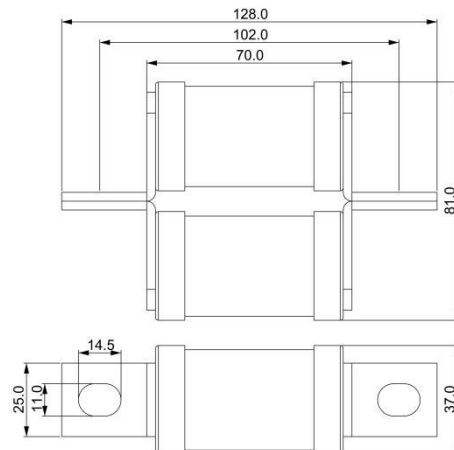
HPJ



EEPJ



SMJ



SMMJ



产品型号/Product type

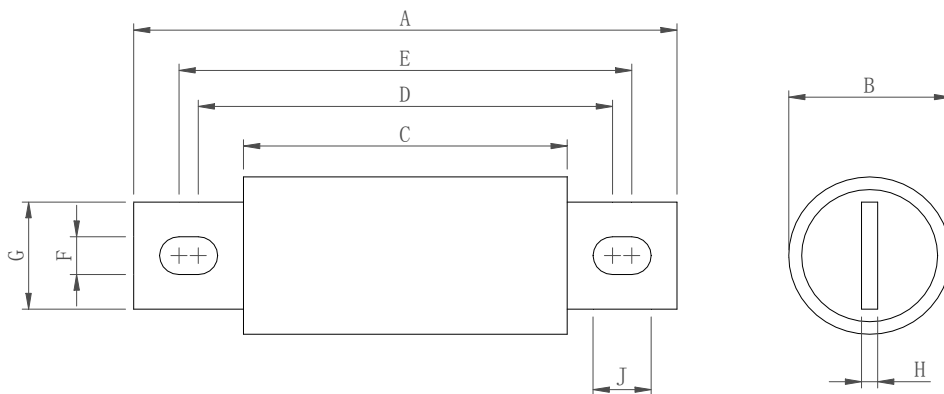
Number 序号	Model 型号	Product code 产品代码	Rated current 额定电流 A	I ² t (A ² Sec)		Power consumption 功率损耗 W
				弧前	熔断	
1	CPJ/CTJ	HBD-6CPJ/HBD-6CTJ	6	2.2	13.5	2.0
		HBD-10CPJ/HBD-10CTJ	10	7.4	48.0	3.0
		HBD-12CPJ/HBD-12CTJ	12	10.5	67	3.2
		HBD-16CPJ/HBD-16CTJ	16	17.0	110	7.0
2	EPJ/ETJ	HBD-16EPJ/HBD-16ETJ	16	26.0	132	3.2
		HBD-20EPJ/HBD-20ETJ	20	41.0	228.0	3.5
		HBD-25EPJ/HBD-25ETJ	25	26.5	257.0	7.0
		HBD-32EPJ/HBD-32ETJ	32	33.0	350.0	11.0
		HBD-35EPJ/HBD-35ETJ	35	52.8	500.0	11.2
		HBD-40EPJ/HBD-40ETJ	40	108.0	910.0	9.0
		HBD-45EPJ/HBD-45ETJ	45	110.0	1100.0	9.6
		HBD-50EPJ/HBD-50ETJ	50	123.0	1250.0	10.8
		HBD-56EPJ/HBD-56ETJ	56	140.0	1550.0	13.5
		HBD-63EPJ/HBD-63ETJ	63	170.0	1990.0	15.5
HBD-80EPJ/HBD-80ETJ	80	360.0	4000.0	18.0		
3	HPJ/HTJ	HBD-32HPJ/HBD-32HTJ	32	110	1300	10.8
		HBD-40HPJ/HBD-40HTJ	40	170	2200	13.0
		HBD-50HPJ/HBD-50HTJ	50	270	3400	16.0
		HBD-63HPJ/HBD-63HTJ	63	490	6100	19.3
		HBD-80HPJ/HBD-80HTJ	80	920	11400	23.0
		HBD-100HPJ/HBD-100HTJ	100	1500	18800	28.5
		HBD-125HPJ/HBD-125HTJ	125	2500	30800	34.0
		HBD-160HPJ/HBD-160HTJ	160	4400	54800	37.3
4	EEPJ/EETJ	HBD-90EEPJ/HBD-90EETJ	90	500	4510	19.0
		HBD-110EEPJ/HBD-110EETJ	110	610	6700	26.5
		HBD-140EEPJ/HBD-140EETJ	140	1100	12000	34.0
		HBD-160EEPJ/HBD-160EETJ	160	1600.	17000	38.0
5	SMJ/STJ	HBD-180SMJ/HBD-180STJ	180	1390	13400	39.2
		HBD-200SMJ/HBD-200STJ	200	2600	17900	40.0
		HBD-225SMJ/HBD-225STJ	225	3600	25400	42.5
		HBD-250SMJ/HBD-250STJ	250	5050	36000	47.0
		HBD-280SMJ/HBD-280STJ	280	6950	52000	48.0
		HBD-315SMJ/HBD-315STJ	315	9900	72800	54.0
		HBD-350SMJ/HBD-350STJ	350	14400	98000	55.5
		HBD-400SMJ/HBD-400STJ	400	19000	128000	58.0
6	SMMJ/STTJ	HBD-400SMMJ/HBD-400STTJ	400	9800	69700	84.0
		HBD-450SMMJ/HBD-450STTJ	450	14300	96000	90.0
		HBD-500SMMJ/HBD-500STTJ	500	19500	138000	97.5
		HBD-550SMMJ/HBD-550STTJ	550	27900	197000	100.0
		HBD-630SMMJ/HBD-630STTJ	630	41200	275000	102.0
		HBD-700SMMJ/HBD-700STTJ	700	55500	375000	119.5



Rated Voltage 额定电压	AC250V/DC150V	Type Protection 保护类别	aR
Rated Current 额定电流	5A-800A	Breaking Capacity 分断能力	DC20KA (时间常数≤15ms)
Meet the Requirement 符合要求	UL248-20、ISO8820、 JASO-D622、 欧盟和 RoHS 指令	Remarks 备注	gR 数据另版提供

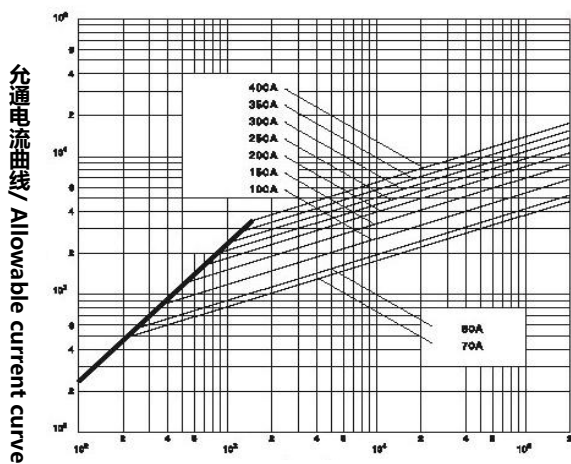


熔断体外形及安装尺寸/Shape and mounting dimensions of fuses



尺寸代码	A±2	B±1.5	C±1	D±1.5	E±1.5	F±1	G±0.5	H±0.2	J±1
HW1	68.2	25	29	44	53	9	18	3.3	13.5
HW2	94	38	38	54	74.5	10.5	25	6	20.7

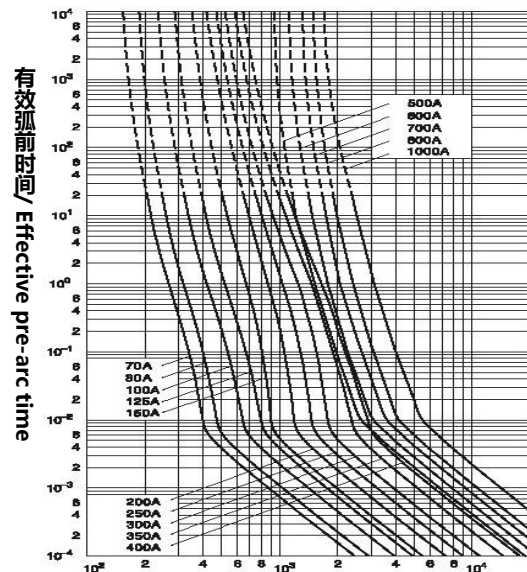
允通电流曲线/ Allowable current curve



预期短路电流对称 RMS /Expected short circuit current

电流特性曲线图/Current characteristic curve

150V(70-1000)A



产品型号/Product type

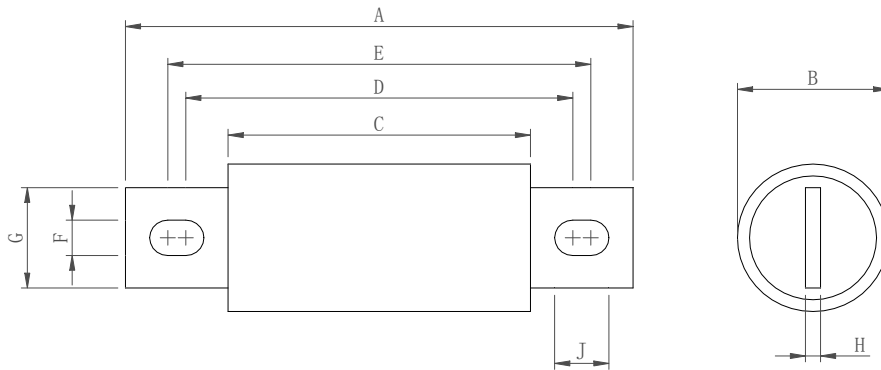
Model 型号	Rated Current 额定电流 A	I ² t(A ² s)		Power dissipation 功耗 W	Size code 尺寸代码	Install 安装
		弧前	总			
HEV-A-Q-70	70A	460	3920	6.8	HW1	Mounting Bolt M8 recommended torque 11N·m 安装螺栓 M8 推荐扭矩 11N·m
HEV-A-Q-80	80A	665	5850	7.5		
HEV-A-Q-100	100A	1120	11100	8.8		
HEV-A-Q-125	125A	1840	17600	11.0		
HEV-A-Q-150	150A	2650	25400	12.8		
HEV-A-Q-200	200A	4750	44000	17.5		
HEV-A-Q-250	250A	7420	68500	22.5		
HEV-A-Q-300	300A	11000	99000	26.5		
HEV-A-Q-350	350A	14800	139000	30.4		
HEV-A-Q-400	400A	18800	180000	34.8		
HEV-A-Q-500	500A	36000	110000	34.5	HW2	Mounting Bolt M10 recommended torque 20N·m 安装螺栓 M10 推荐扭矩 20N·m
HEV-A-Q-600	600A	43500	125000	45.6		
HEV-A-Q-700	700A	68000	198000	48.5		
HEV-A-Q-800	800A	86000	255000	57.0		
HEV-A-Q-1000	1000A	152000	470000	59.5		



Rated Voltage 额定电压	AC/DC500V 或低于	Type Protection 保护类别	aR
Rated Current 额定电流	5A-800A	Breaking Capacity 分断能力	AC100KA、DC50KA (时间常数≤15ms)
Meet the Requirement 符合要求	UL248-20、ISO8820、 JASO-D622、 欧盟和 RoHS 指令	Remarks 备注	gR 数据另版提供

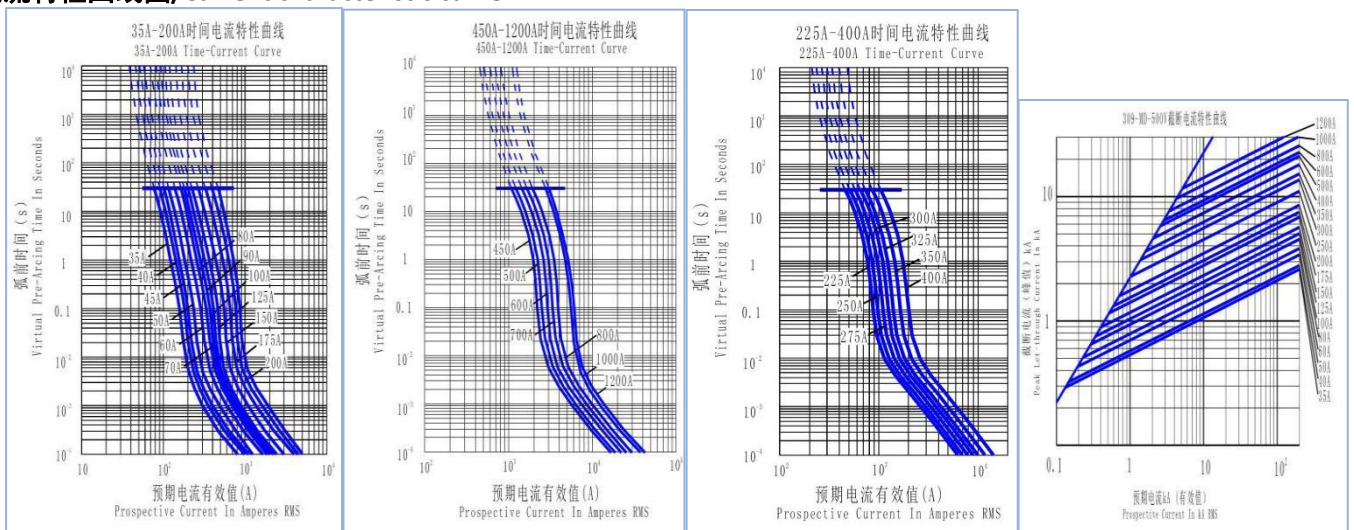


产品外形尺寸 (mm) /Overall dimensions of the product (mm)



尺寸代码	A±2	B±1.5	C±1	D±1.5	E±1.5	F±1	G±0.5	H±0.2	J±1
HZ1	81	22	40	55	66.5	9	15	3.3	14.75
HZ2	92.2	25	53	68	77	9	18	3.2	13.5
HZ3	92.2	33	53	68	75	9	22	5	12.5
HZ4	109	38	53	69	89.5	10.5	25	6	20.7
HZ5	110	50	53	70.5	90	10.5	38	6	20.7
HZ6	161	63	53	87	126	13.5	50	10	34
HZ7	177	76	81.5	113.5	139	16	60	10	28.4

电流特性曲线图/Current characteristic curve



产品型号/Product type

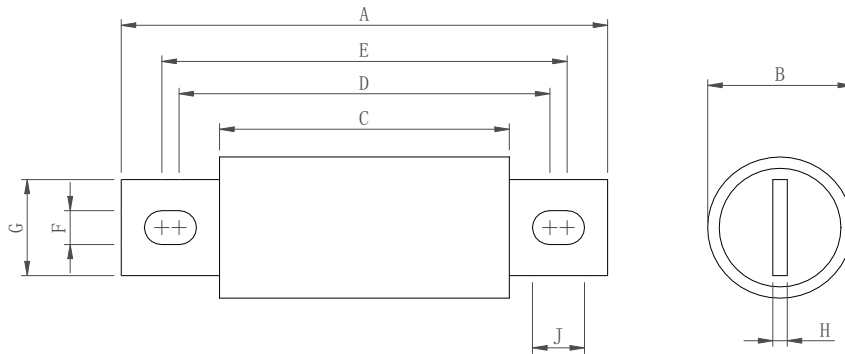
Model 型号	Rated Current 额定电流 A	I ² t(A ² s)		Power dissipation 功耗 W	Size code 尺寸代码	Install 安装
		弧前	总			
	35A	33	145	8.5	HZ1	Mounting Bolt M8 recommended torque 11N·m 安装螺栓 M8 推 荐扭矩 11N·m
HEV-H-Q-40	40A	74	315	8		
HEV-H-Q-45	45A	100	430	8		
HEV-H-Q-50	50A	130	650	8.5		
HEV-H-Q-60	60A	200	880	10		
HEV-H-Q-70	70A	210	900	10.5	HZ2	
HEV-H-Q-80	80A	300	1360	12.5		
HEV-H-Q-90	90A	350	1500	15.5		
HEV-H-Q-100	100A	460	1950	17.5		
HEV-H-Q-125	125A	750	3430	26	HZ3	
HEV-H-Q-150	150A	1000	4450	31		
HEV-H-Q-175	175A	1400	6100	36		
HEV-H-Q-200	200A	1800	8300	41		
HEV-H-Q-225	225A	4600	23000	39		
HEV-H-Q-250	250A	6250	32100	41	HZ4	Mounting Bolt M10 recommended torque 20N·m 安装螺栓 M10 推 荐扭矩 20N·m
HEV-H-Q-275	275A	7800	40000	46		
HEV-H-Q-300	300A	9600	49000	52		
HEV-H-Q-325	325A	13500	63000	54		
HEV-H-Q-350	350A	14000	72000	59		
HEV-H-Q-400	400A	18500	95500	66		
HEV-H-Q-450	450A	24000	125000	75		
HEV-H-Q-500	500A	28500	147000	84	HZ5	
HEV-H-Q-600	600A	40500	203000	108		
HEV-H-Q-700	700A	54000	295000	122	HZ6	
HEV-H-Q-800	800A	75000	406000	130		
HEV-H-Q-100	1000A	90000	430000	146	HZ7	
HEV-H-Q-120	1200A	120000	590000	180		



Rated Voltage 额定电压	AC690V/DC700V 或低于(IEC)、750V(UL)	Type Protection 保护类别	aR
Rated Current 额定电流	5A-800A	Breaking Capacity 分断能力	AC100KA、DC50KA (时间常数≤15ms)
Meet the Requirement 符合要求	UL248-20、ISO8820、JASO-D622、欧盟和 RoHS 指令	Remarks 备注	gR 数据另版提供

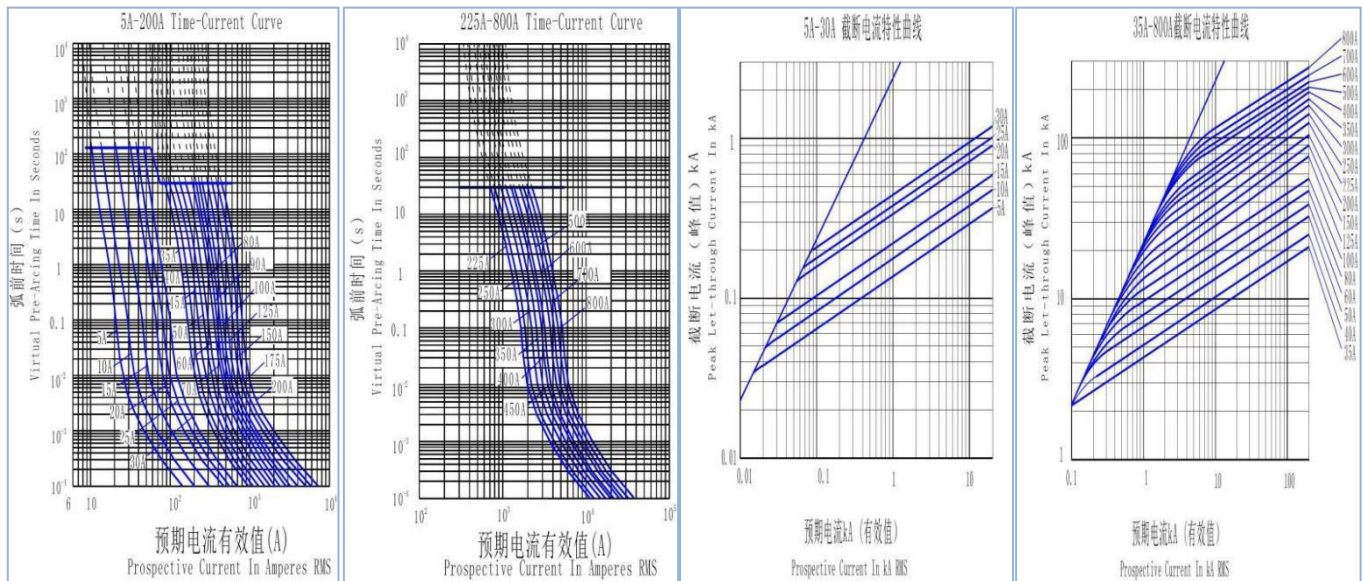


产品外形尺寸 (mm) /Overall dimensions of the product (mm)



尺寸代码	A±2	B±1.5	C±1	D±1.5	E±1.5	F±1	G±0.5	H±0.2	J±1
HT1	73.5	14.3	48	60.5	63.5	6.5	10.3	1.6	8
HT2	110	22	69	84	95.5	9	15	3.3	14.75
HT3	129	36.5	72	88	109	10.5	25	6	20.7
HT4	129	50	72	88.6	109	10.5	38	6	20.7
HT5	180	63	72	106	145	13.5	50	10	33

电流特性曲线图/Current characteristic curve



产品型号/Product type

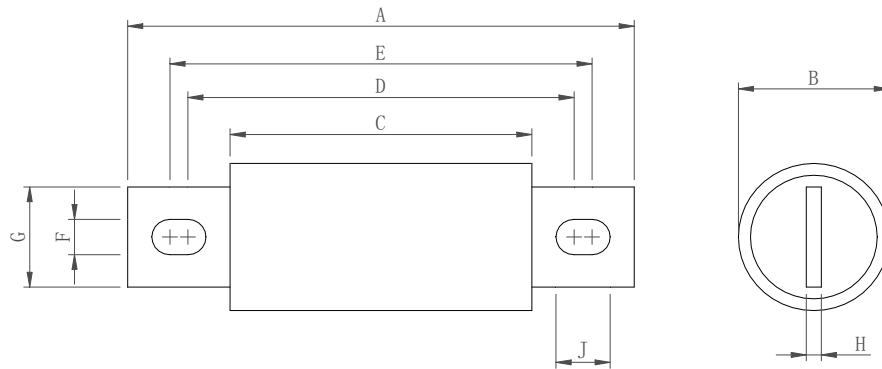
Model 型号	Rated Current 额定电流 A	I ² t(A ² s)		Power dissipation 功耗 W	Size code 尺寸代码	Install 安装
		弧前	总			
HEV-P-Q-5	5A	1.6	10	1.5	HT1	Mounting Bolt M6 recommended torque 4N·m 安装螺栓 M6 推荐扭矩 4N·m
HEV-P-Q-10	10A	3.5	19	3.8		
HEV-P-Q-15	15A	9.5	73	5.4		
HEV-P-Q-20	20A	25.5	176	6.0		
HEV-P-Q-25	25A	42	330	7.0		
HEV-P-Q-30	30A	55	420	9.0		
HEV-P-Q-35	35A	33	160	11.0	HT2	Mounting Bolt M8 recommended torque 11N·m 安装螺栓 M8 推荐扭矩 11N·m
HEV-P-Q-40	40A	75	315	12.0		
HEV-P-Q-45	45A	95	430	12.0		
HEV-P-Q-50	50A	135	590	12.5		
HEV-P-Q-60	60A	205	940	14.8		
HEV-P-Q-70	70A	300	1980	17.5		
HEV-P-Q-80	80A	350	2350	20.5		
HEV-P-Q-90	90A	410	2630	24.0		
HEV-P-Q-100	100A	530	3450	26.5		
HEV-P-Q-125	125A	1700	7200	27		
HEV-P-Q-150	150A	2750	11000	34		
HEV-P-Q-175	175A	4100	16000	35		
HEV-P-Q-200	200A	5400	21000	42		
HEV-P-Q-225	225A	7500	30000	45		
HEV-P-Q-250	250A	9700	41000	47		
HEV-P-Q-275	275A	12000	58000	51		
HEV-P-Q-M300	300A	16500	70000	56		
HEV-P-Q-M325	325A	20000	82000	61		
HEV-P-Q-M350	350A	23000	94000	63		
HEV-P-Q-M400	400A	30000	123000	76	HT4	Mounting Bolt M10 recommended torque 20N·m 安装螺栓 M10 推荐扭矩 20N·m
HEV-P-Q-300	300A	16500	70000	56		
HEV-P-Q-325	325A	20000	82000	61		
HEV-P-Q-350	350A	23000	94000	63		
HEV-P-Q-400	400A	30000	123000	76		
HEV-P-Q-450	450A	35000	135000	95		
HEV-P-Q-500	500A	44000	165000	108		
HEV-P-Q-600	600A	48000	210000	115		
HEV-P-Q-700	700A	53000	298000	125		
HEV-P-Q-800	800A	75000	445000	140		



Rated Voltage 额定电压	AC/DC1000V 或低于	Type Protection 保护类别	aR
Rated Current 额定电流	5A-800A	Breaking Capacity 分断能力	AC100KA、DC30KA (时间常数≤15ms)
Meet the Requirement 符合要求	UL248-20、ISO8820、 JASO-D622、 欧盟和 RoHS 指令	Remarks 备注	gR 数据另版提供

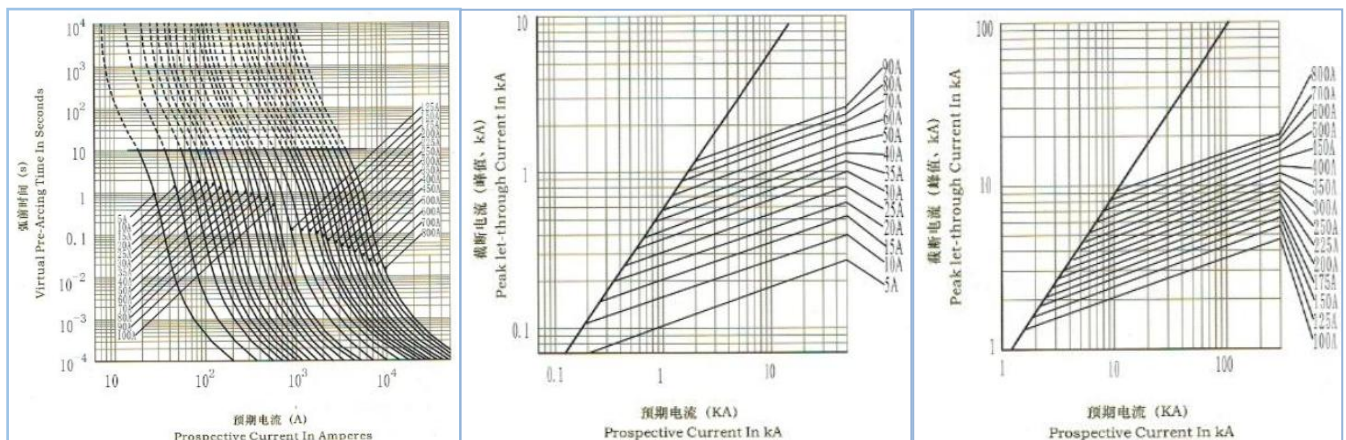


产品外形尺寸 (mm) /Overall dimensions of the product (mm)



尺寸代码	A±2	B±1.5	C±1	D±1.5	E±1.5	F±1	G±0.5	H±0.2	J±1
HF1	124	25	78	100	109	9	18	4	13.5
HF2	117	33	78	93	100	9	22	5	12.5
HF3	139.5	38	83.5	99.5	120	10.5	25	6	20.7
HF4	146.5	50	89.5	106	126.5	10.5	38	6	20.7
HF5	197.5	63	89.5	123.5	162.5	13.5	50	10	33

电流特性曲线图/Current characteristic curve



产品型号/Product type

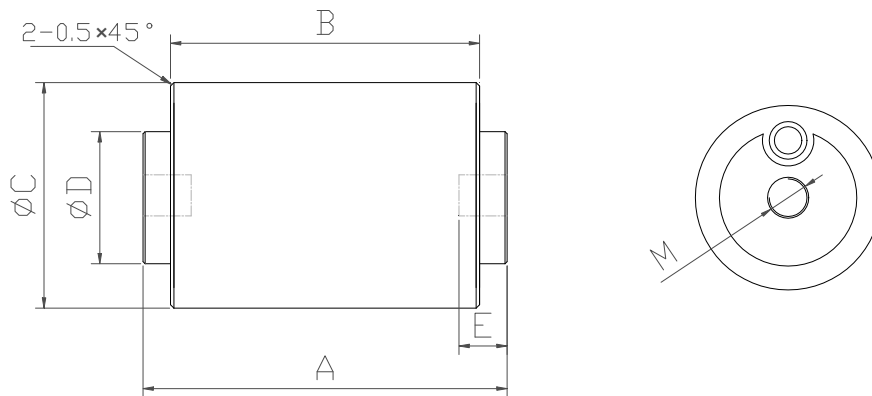
Model 型号	Rated Current 额定电流 A	I ² t(A ² s)		Power dissipation 功耗 W	Size code 尺寸代码	Install 安装		
		弧前	总					
HEV-J-Q-5	5A	20	115	1.8	HF1	Mounting Bolt M8 recommended torque 11N·m 安装螺栓 M8 推 荐扭矩 11N·m		
HEV-J-Q-10	10A	30	170	2.2				
HEV-J-Q-15	15A	48	220	3.1				
HEV-J-Q-20	20A	72	360	3.6				
HEV-J-Q-25	25A	85	510	4.2				
HEV-J-Q-30	30A	110	830	5.1				
HEV-J-Q-35	35A	180	1250	6.3				
HEV-J-Q-40	40A	290	1650	7.8				
HEV-J-Q-45	45A	350	1900	8.5				
HEV-J-Q-50	50A	440	2450	10.0				
HEV-J-Q-60	60A	600	3500	12.5				
HEV-J-Q-70	70A	820	5500	14				
HEV-J-Q-80	80A	1050	6500	16				
HEV-J-Q-90	90A	1800	10500	17	HF2	Mounting Bolt M10 recommended torque 20N·m 安装螺栓 M10 推荐扭矩 20N·m		
HEV-J-Q-100	100A	2300	12000	18				
HEV-J-Q-125	125A	3400	21000	20				
HEV-J-Q-150	150A	4900	25500	27				
HEV-J-Q-175	175A	9200	40000	30	HF3		Mounting Bolt M12 recommended torque 28N·m 安装螺栓 M12 推荐扭矩 28N·m	
HEV-J-Q-200	200A	15000	60000	32				
HEV-J-Q-225	225A	19000	105000	40				
HEV-J-Q-250	250A	24000	113000	47				
HEV-J-Q-275	275A	25000	130000	49				
HEV-J-Q-300	300A	26000	160000	52				
HEV-J-Q-325	325A	33000	180000	55	HF4			Mounting bolt M12 recommended torque 28N·m 安装螺栓 M12 推荐扭矩 28N·m
HEV-J-Q-350	350A	42000	230000	60				
HEV-J-Q-400	400A	71000	320000	65				
HEV-J-Q-450	450A	78000	300000	80				
HEV-J-Q-500	500A	105000	350000	95	HF5	Mounting bolt M12 recommended torque 28N·m 安装螺栓 M12 推荐扭矩 28N·m		
HEV-J-Q-600	600A	163000	530000	105				
HEV-J-Q-700	700A	320000	680000	155				
HEV-J-Q-800	800A	420000	870000	185				



Rated Voltage 额定电压	AC/DC500V 或低于	Type Protection 保护类别	aR
Rated Current 额定电流	200A-630A	Breaking Capacity 分断能力	AC100KA、DC20KA (时间常数≤15ms)
Meet the Requirement 符合要求	UL248-20、ISO8820、 JASO-D622、 欧盟和 RoHS 指令	Remarks 备注	gR 数据另版提供

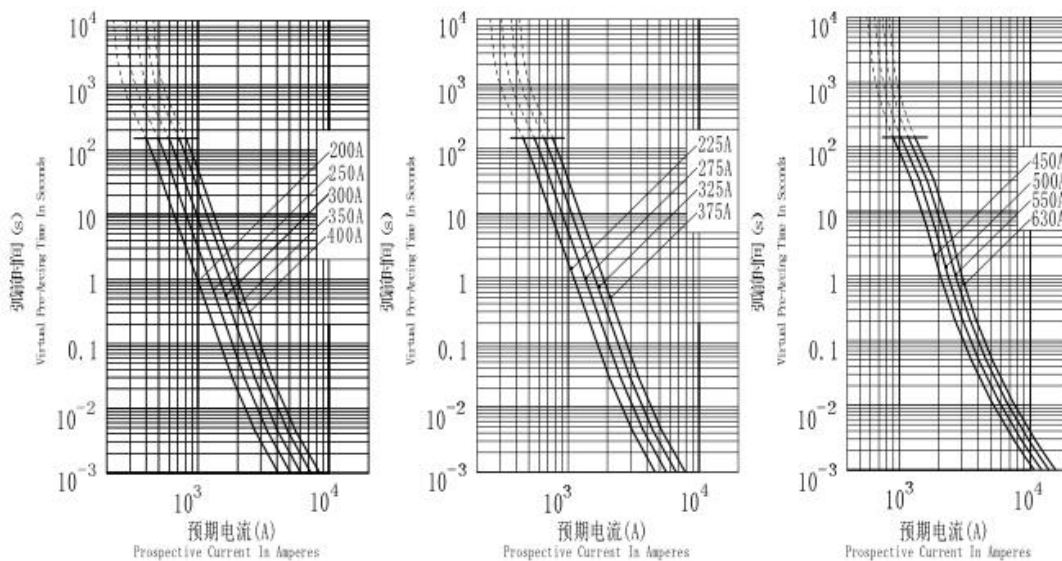


产品外形尺寸 (mm) /Overall dimensions of the product (mm)



尺寸代码	A±0.3	B±0.5	C±0.5	D±0.3	E±0.5	M
HN1	53	45	31	20	7	M6
HM1	53	45	31	20	7	M8
HN2	53	45	37	24	7	M6
HM2	53	45	37	24	7	M8

电流特性曲线图/Current characteristic curve



产品型号/Product type

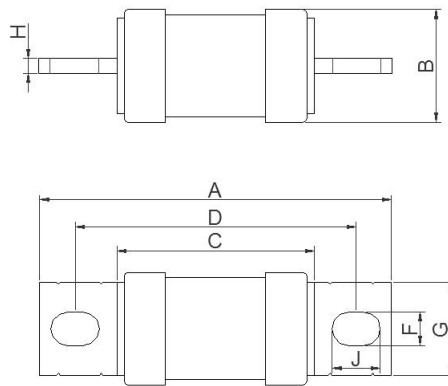
Model 型号	Rated Current 额定电流 A	I ² t(A ² s)		Power dissipation 功耗 W	Size code 尺寸代码	Install 安装
		弧前	总			
HEN-H-Q-N200	200A	6000	20400	23	HN1	Mounting Bolt M6 recommended torque 6N·m 安装螺栓 M6 推 荐扭矩 6N·m
HEN-H-Q-N225	225A	9200	30500	25		
HEN-H-Q-N250	250A	11500	40000	27		
HEN-H-Q-N275	275A	14800	50000	29		
HEN-H-Q-N300	300A	17000	60000	30		
HEN-H-Q-N325	325A	19200	73500	32		
HEN-H-Q-N350	350A	22000	86500	34		
HEN-H-Q-N375	375A	25200	102000	36		
HEN-H-Q-N400	400A	30000	117000	37		
HEN-H-Q-N450	450A	56500	322000	40		
HEN-H-Q-N500	500A	87000	365000	44	HN2	
HEN-H-Q-N550	550A	115000	410000	47		
HEN-H-Q-N630	630A	150000	512000	50		
HEN-H-Q-M200	200A	6000	20400	23	HM1	Mounting Bolt M8 recommended torque 12N·m 安装螺栓 M8 推 荐扭矩 12N·m
HEN-H-Q-M225	225A	9200	30500	25		
HEN-H-Q-M250	250A	11500	40000	27		
HEN-H-Q-M275	275A	14800	50000	29		
HEN-H-Q-M300	300A	17000	60000	30		
HEN-H-Q-M325	325A	19200	73500	32		
HEN-H-Q-M350	350A	22000	86500	34	HM2	
HEN-H-Q-M375	375A	25200	102000	36		
HEN-H-Q-M400	400A	30000	117000	37		
HEN-H-Q-M450	450A	56500	322000	40		
HEN-H-Q-M500	500A	87000	365000	44		
HEN-H-Q-M550	550A	115000	410000	47		
HEN-H-Q-M630	630A	150000	512000	50		



Rated Voltage 额定电压	AC/DC500V	Type Protection 保护类别	aR
Rated Current 额定电流	10A-500A	Breaking Capacity 分断能力	AC100KA、DC20KA
Meet the Requirement 符合要求	UL248-20、ISO8820、 JASO-D622、 欧盟和 RoHS 指令	Remarks 备注	UL

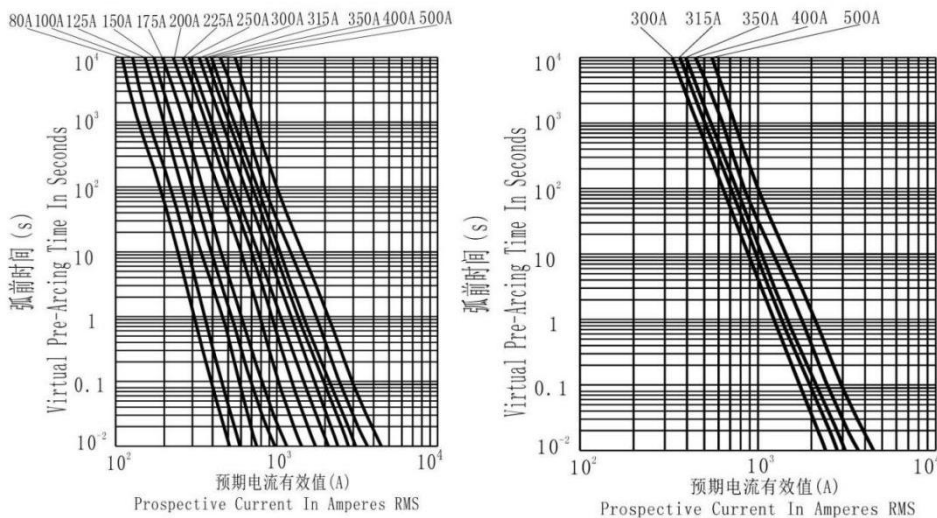


产品外形尺寸 (mm) /Overall dimensions of the product (mm)



型号	尺寸代码	A±2	B±1.5	C±1	D±1.5	F±1	G±0.5	H±0.2	J±1
EV-H-Q	VH1	94.5	30.5	52.5	74.5	9	25	4	13
	VH2	119.5	37	56.5	88.5	11	25	6	15

电流特性曲线图/Current characteristic curve



产品型号/Product type

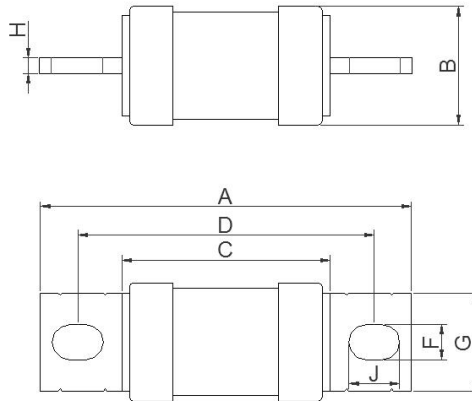
Model 型号	Rated current 额定电流 A	I ² t(A ² s)		Power consumption 功率损耗 W	Size Code 尺寸代码	Install 安装
		弧前	熔断			
EV-H-Q-80	80	5500	6400	15	VH1	Mounting Bolt M8 recommended torque 11N·m 安装螺栓 M8 推 荐扭矩 11N·m
EV-H-Q-100	100	8700	10000	19		
EV-H-Q-125	125	15000	17810	23.5		
EV-H-Q-150	150	25000	29000	28		
EV-H-Q-175	175	40500	45000	33		
EV-H-Q-200	200	60300	68000	37		
EV-H-Q-225	225	83100	95000	40		
EV-H-Q-250	250	120000	138000	45		
EV-H-Q-275	275	173200	189000	48		
EV-H-Q-300	300	203000	243000	55.5		
EV-H-Q-350	350	252000	355000	62		
EV-H-Q-300	300	148500	260000	53.5	VH2	Mounting Bolt M10 recommended torque 20N·m 安装螺栓 M10 推 荐扭矩 20N·m
EV-H-Q-315	315	168000	280000	57		
EV-H-Q-350	350	203000	350000	61		
EV-H-Q-400	400	312000	496000	68		
EV-H-Q-500	500	550000	865000	78		



Rated Voltage 额定电压	AC690/DC750V	Type Protection 保护类别	aR
Rated Current 额定电流	10A-500A	Breaking Capacity 分断能力	AC100KA、DC20KA
Meet the Requirement 符合要求	UL248-20、ISO8820、 JASO-D622、 欧盟和 RoHS 指令	Remarks 备注	UL



产品外形尺寸 (mm) /Overall dimensions of the product (mm)



型号	尺寸代码	A±2	B±1.5	C±1	D±1.5	F±1	G±0.5	H±0.2	J±1
EV-P-Q	VP1	109	30.4	68.5	90	9	25	4	13
	VP2	129.5	37.3	65.5	98.5	11	25	6	15
	VP3	155.5	53.5	91.2	125.3	12.5	40	6	20

产品型号/Product type

Model 型号	Rated current 额定电流 A	I²t(A²s)		Power consumption 功率损耗 W	Size Code 尺寸代码	Install 安装
		弧前	熔断			
EV-P-Q-30	30	450	950	9	VP1	Mounting Bolt M8 recommended torque 11N·m 安装螺栓 M8 推荐 扭矩 11N·m
EV-P-Q-40	40	750	1800	11		
EV-P-Q-50	50	1250	2800	13		
EV-P-Q-60	60	1800	4700	15		
EV-P-Q-70	70	2400	6300	17		
EV-P-Q-80	80	3000	8500	20		
EV-P-Q-100	100	4800	12000	22		



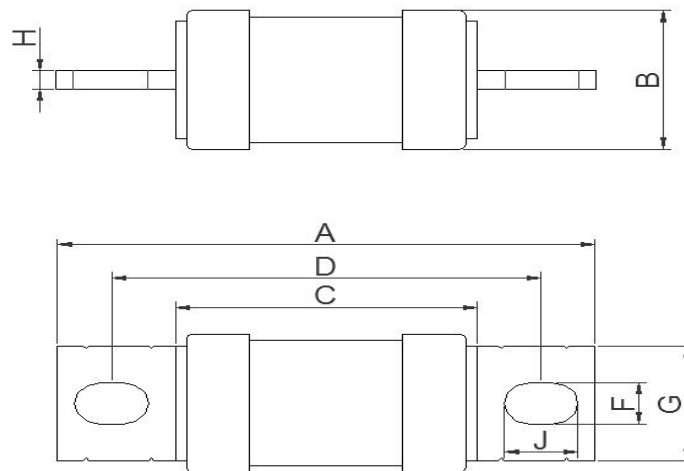
EV-P-Q-125	125	1300	23800	22	VP2	Mounting Bolt M10 recommended torque 20N·m 安装螺栓 M10 推荐 扭矩 20N·m
EV-P-Q-150	150	1550	34000	25		
EV-P-Q-175	175	1800	46500	30		
EV-P-Q-200	200	2450	55000	34		
EV-P-Q-250	250	4300	95000	42		
EV-P-Q-300	300	6200	142000	50		
EV-P-Q-350	350	9150	200000	60		
EV-P-Q-400	400	12300	260000	69		
EV-P-Q-350	350	59000	158000	65		
EV-P-Q-400	400	77000	205000	80		
EV-P-Q-450	450	96000	269000	95	VP3	Mounting Bolt M12 recommended torque 28N·m 安装螺栓 M12 推荐 扭矩 28N·m
EV-P-Q-500	500	118000	328000	110		
EV-P-Q-600	600	175000	471000	115		
EV-P-Q-800	800	302000	800000	140		



Rated Voltage 额定电压	AC/DC1000V	Type Protection 保护类别	aR
Rated Current 额定电流	10A-800A	Breaking Capacity 分断能力	AC100KA、DC20KA
Meet the Requirement 符合要求	UL248-20、ISO8820、JASO-D622、 欧盟和 RoHS 指令	Remarks 备注	UL



产品外形尺寸 (mm) /Overall dimensions of the product (mm)



型号	尺寸代码	A±2	B±1.5	C±1	D±1.5	F±1	G±0.5	H±0.2	J±1
EV-J-Q	VJ1	116	30.4	75.5	97	9	25	4	13
	VJ2	139.75	37.3	75.75	108.75	11	25	6	15
	VJ3-1	148	53.5	90.1	117.9	12.5	40	8	20
	VJ3-2	173	53.5	114.7	143	12.5	40	6	20

产品型号/Product type

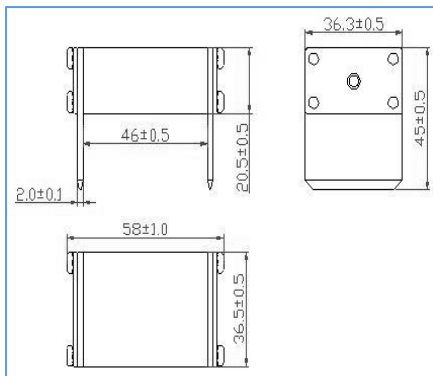
Model 型号	Rated current 额定电流 A	I ² t(A ² s)		Power consumption 功率损耗 W	Size Code 尺寸代码	Install 安装
		弧前	熔断			
EV-J-Q-30	30	120	850	5.0	VJ1	Mounting Bolt M8 recommended torque 11N·m 安装螺栓 M8 推荐扭矩 11N·m
EV-J-Q-40	40	300	1700	7.5		
EV-J-Q-50	50	450	2500	10.0		
EV-J-Q-60	60	620	3600	12.5		
EV-J-Q-70	70	850	5600	14		
EV-J-Q-80	80	1100	6600	15.5		
EV-J-Q-90	90	1850	10600	17		
EV-J-Q-100	100	2300	12000	18		
EV-J-Q-125	125	3400	21000	20		
EV-J-Q-150	150	4800	25000	25		
EV-J-Q-175	175	9200	40000	30	VJ2	Mounting Bolt M10 recommended torque 20N·m 安装螺栓 M10 推荐扭矩 20N·m
EV-J-Q-200	200	15000	60000	34		
EV-J-Q-225	225	19000	105000	40		
EV-J-Q-250	250	23500	113000	43		
EV-J-Q-275	275	24800	128000	48		
EV-J-Q-300	300	26000	155000	52		
EV-J-Q-325	325	32700	175000	56		
EV-J-Q-350	350	40000	223000	60	VJ3-1	Mounting Bolt M12 recommended torque 28N·m 安装螺栓 M12 推荐扭矩 28N·m
EV-J-Q-400	400	56000	290000	65		
EV-J-Q-450	450	78000	390000	80		
EV-J-Q-500	500	105000	490000	90	VJ3-2	Mounting Bolt M12 recommended torque 28N·m 安装螺栓 M12 推荐扭矩 28N·m
EV-J-Q-600	600	165000	560000	105		
EV-J-Q-800	800	420000	870000	175		



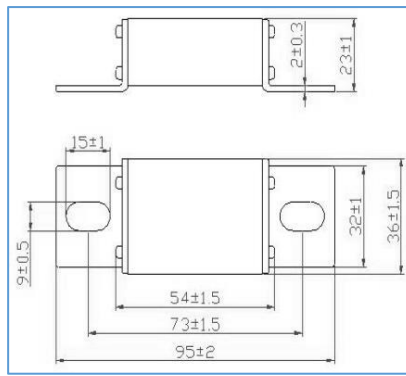
Rated Voltage 额定电压	DC750V、AC690V 或低于	Type Protection 保护类别	aR
Rated Current 额定电流	10A-400A	Breaking Capacity 分断能力	DC10KA (时间常数≤10ms)
Meet the Requirement 符合要求	UL248-13、ISO8820、 JASO-D622、IEC60269 欧盟和 RoHS 指令	Remarks 备注	UL



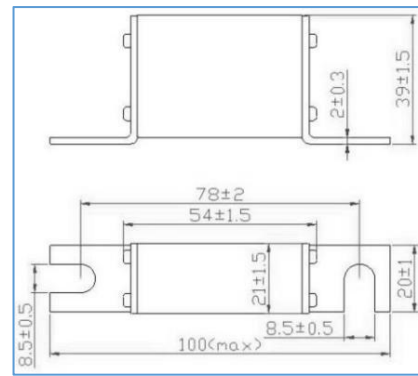
产品外形尺寸 (mm) /Overall dimensions of the product (mm)



MEV-P-C10

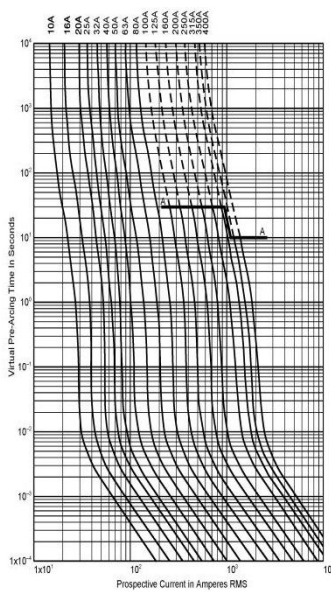


MEV-P-C20

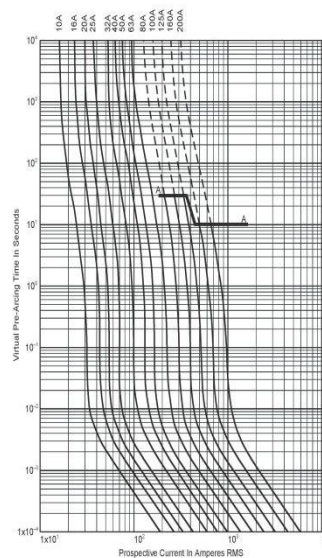
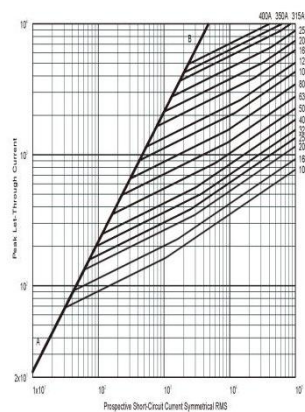


MEV-P-C30

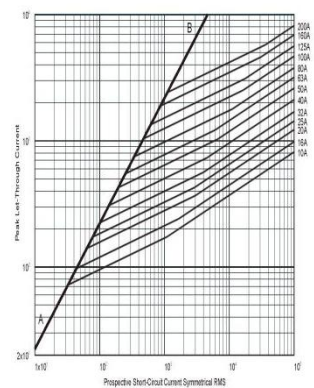
电流特性曲线图/Current characteristic curve



允通电流曲线/
Allowable current curve



允通电流曲线/
Allowable current curve



产品型号/Product type

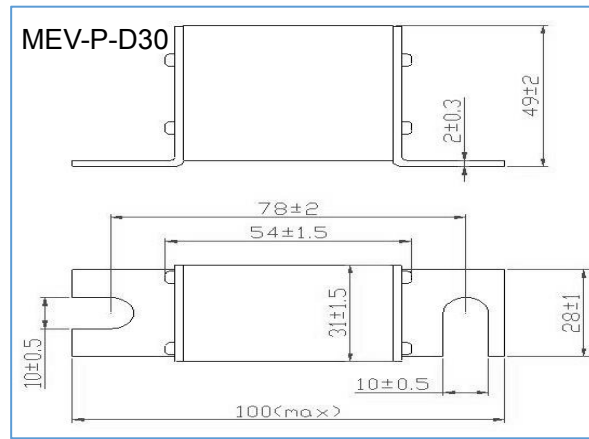
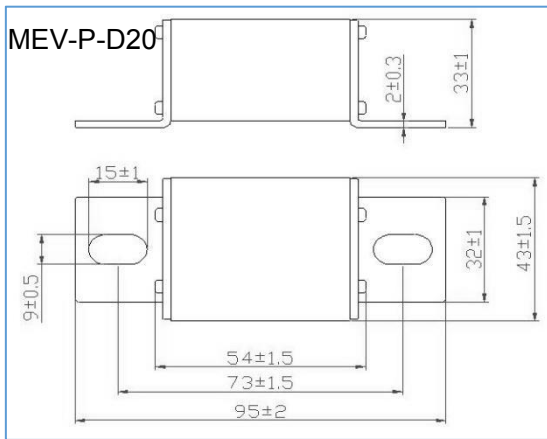
Model 型号	Product code 产品代码	Rated current 额定电流 A	I²t (A²Sec)		Power consumption 功率损耗 W
			弧前	总	
MEV-P-C10	MEV-P-C10-16	16	7.2	48	5.5
	MEV-P-C10-20	20	11.5	78	7
	MEV-P-C10-25	25	19	130	9
	MEV-P-C10-32	32	40	270	10
	MEV-P-C10-40	40	69	460	12
	MEV-P-C10-50	50	115	770	15
	MEV-P-C10-63	63	215	1450	16
	MEV-P-C10-80	80	380	2550	19
	MEV-P-C10-100	100	695	4650	24
	MEV-P-C10-125	125	1200	8500	28
	MEV-P-C10-160	160	2300	16000	32
	MEV-P-C10-200	200	4200	28000	37
	MEV-P-C10-250	250	7750	51500	42
	MEV-P-C10-315	315	12000	80500	52
	MEV-P-C10-350	350	14500	98500	58
	MEV-P-C10-400	400	19500	133000	67
MEV-P-C20	MEV-P-C20-16	16	7.2	48	5.5
	MEV-P-C20-20	20	11.5	78	7
	MEV-P-C20-25	25	19	130	9
	MEV-P-C20-32	32	40	270	10
	MEV-P-C20-40	40	69	460	12
	MEV-P-C20-50	50	115	770	15
	MEV-P-C20-63	63	215	1450	16
	MEV-P-C20-80	80	380	2550	19
	MEV-P-C20-100	100	695	4650	24
	MEV-P-C20-125	125	1200	8500	28
	MEV-P-C20-160	160	2300	16000	32
	MEV-P-C20-200	200	4200	28000	37
	MEV-P-C20-250	250	7750	51500	42
	MEV-P-C20-315	315	12000	80500	52
	MEV-P-C20-350	350	14500	98500	58
	MEV-P-C20-400	400	19500	133000	67
MEV-P-C30	MEV-P-C30-16	16	7.2	48	5.5
	MEV-P-C30-20	20	11.5	78	7
	MEV-P-C30-25	25	19	130	9
	MEV-P-C30-32	32	40	270	10
	MEV-P-C30-40	40	69	460	12
	MEV-P-C30-50	50	115	770	15
	MEV-P-C30-63	63	215	1450	16
	MEV-P-C30-80	80	380	2550	19
	MEV-P-C30-100	100	695	4650	24
	MEV-P-C30-125	125	1200	8500	28
	MEV-P-C30-160	160	2300	16000	32
	MEV-P-C30-200	200	4200	28000	37
	MEV-P-C30-250	250	7750	51500	42
	MEV-P-C30-315	315	12000	80500	52
	MEV-P-C30-350	350	14500	98500	58
	MEV-P-C20-400	400	19500	133000	67



Rated Voltage 额定电压	DC750V、AC690V 或低于	Type Protection 保护类别	aR
Rated Current 额定电流	250A-500A	Breaking Capacity 分断能力	DC10KA (时间常数≤10ms)
Meet the Requirement 符合要求	UL248-20、ISO8820、 JASO-D622、 欧盟和 RoHS 指令	Remarks 备注	UL

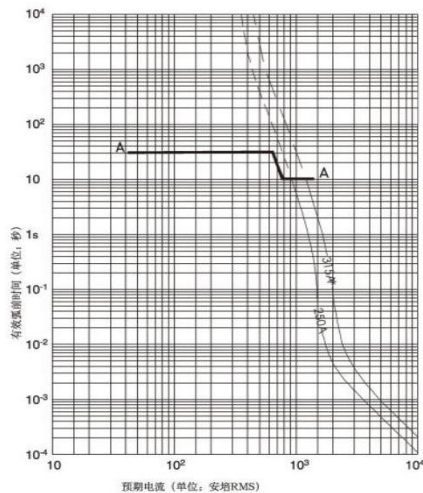


产品外形尺寸 (mm) /Overall dimensions of the product (mm)

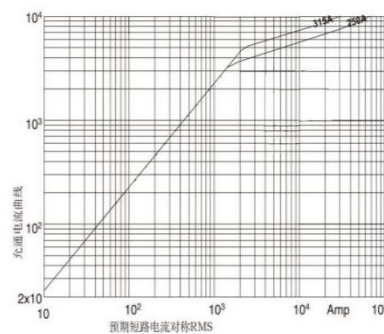


Model 型号	Product code 产品代码	Rated current 额定电流 A	I²t (A²Sec)		Power consumption 功率损耗 W
			弧前	总	
MEV-P-D20	MEV-P-D20-250	250	6250	42000	45
	MEV-P-D20-315	315	10000	68500	55
MEV-P-D30	MEV-P-D30-250	250	6250	42000	45
	MEV-P-D30-315	315	10000	68500	55

电流特性曲线图/Current characteristic curve MEV-P-D20(10A~200A)/ MEV-P-D30(10A~200A)



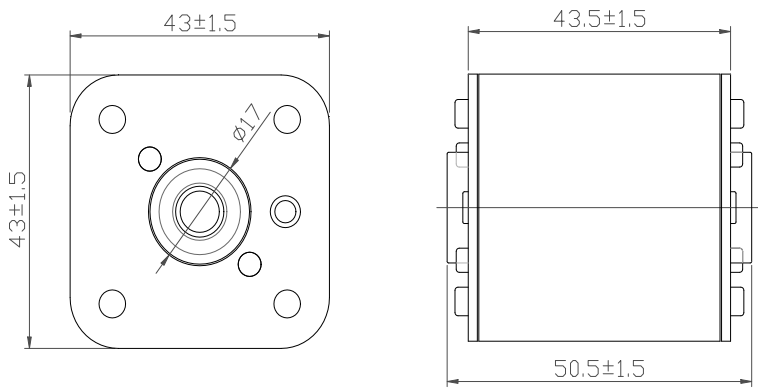
允通电流曲线/ Allowable current curve



Rated Voltage 额定电压	DC600V、AC600V 或低于	Type Protection 保护类别	aR
Rated Current 额定电流	40A-630A	Breaking Capacity 分断能力	DC10KA (时间常数≤10ms)
Meet the Requirement 符合要求	UL248-13、ISO8820、 JASO-D622、IEC60269 欧盟和 RoHS 指令	Remarks 备注	

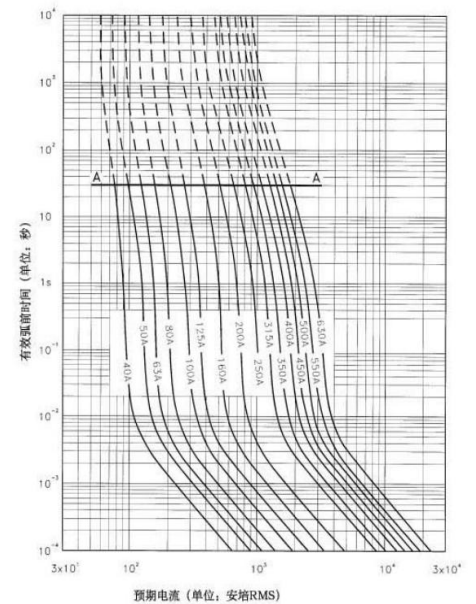


产品外形尺寸 (mm) /Overall dimensions of the product (mm)

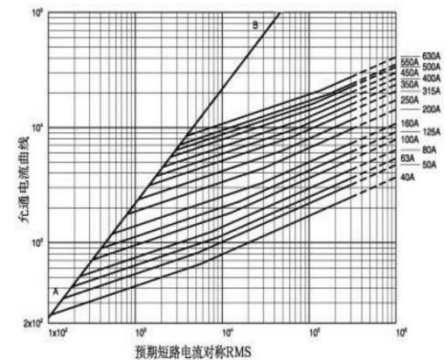


Model 型号	Product code 产品代码	Rated current 额定电流 A	I²t (A²Sec)		Power consumption 功率损耗 W
			弧前	总	
MEV-N-E00	MEV-N-E00-40	40A	40	270	9
	MEV-N-E00-50	50A	77	515	11
	MEV-N-E00-63	63A	115	770	14
	MEV-N-E00-80	80A	185	1250	18
	MEV-N-E00-100	100A	360	2450	21
	MEV-N-E00-125	125A	550	3700	26
	MEV-N-E00-160	160A	1100	7500	30
	MEV-N-E00-200	200A	2200	15000	35
	MEV-N-E00-250	250A	4200	28500	40
	MEV-N-E00-315	315A	7000	46500	50
	MEV-N-E00-350	350A	10000	68500	55
	MEV-N-E00-400	400A	15000	105000	60
	MEV-N-E00-450	450A	21000	140000	65
	MEV-N-E00-500	500A	27000	180000	70
	MEV-N-E00-550	550A	34000	230000	75
MEV-N-E00-630	630A	48500	325000	80	

电流特性曲线图 /Current characteristic curve



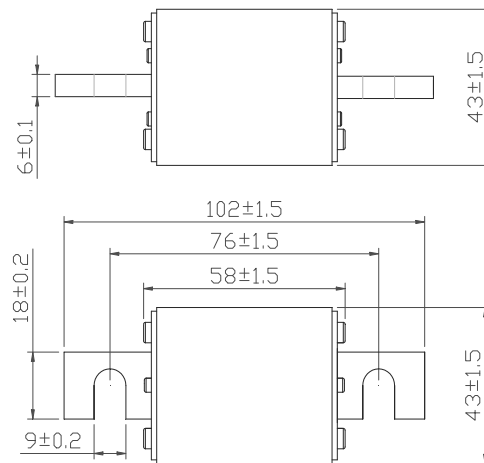
允通电流曲线 / Allowable current curve



Rated Voltage 额定电压	DC750V、AC690V 或低于	Type Protection 保护类别	aR
Rated Current 额定电流	40A-630A	Breaking Capacity 分断能力	DC10KA (时间常数≤10ms)
Meet the Requirement 符合要求	UL248-13、ISO8820、 JASO-D622、IEC60269 欧盟和 RoHS 指令	Remarks 备注	



产品外形尺寸 (mm) /Overall dimensions of the product (mm)



产品型号/Product type

Model 型号	Product code 产品代码	Rated current 额定电流 A	I²t (A²Sec)		Power consumption 功率损耗 W
			弧前	总	
MEV-P-E40	MEV-P-E40-40	40A	40	270	9
	MEV-P-E40-50	50A	77	515	11
	MEV-P-E40-63	63A	115	770	14
	MEV-P-E40-80	80A	185	1250	18
	MEV-P-E40-100	100A	360	2450	21
	MEV-P-E40-125	125A	550	3700	26
	MEV-P-E40-160	160A	1100	7500	30
	MEV-P-E40-200	200A	2200	15000	35
	MEV-P-E40-250	250A	4200	28500	40
	MEV-P-E40-315	315A	7000	46500	50
	MEV-P-E40-350	350A	10000	68500	55
	MEV-P-E40-400	400A	15000	105000	60
	MEV-P-E40-450	450A	21000	140000	65
	MEV-P-E40-500	500A	27000	180000	70
	MEV-P-E40-550	550A	34000	230000	75
MEV-P-E40-630	630A	48500	325000	80	

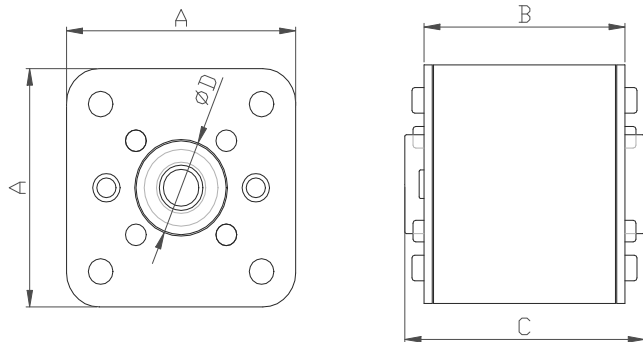


Rated Voltage 额定电压	DC500V、AC690V 或低于	Type Protection 保护类别	aR
Rated Current 额定电流	400A-1250A	Breaking Capacity 分断能力	DC10KA (时间常数≤10ms)
Meet the Requirement 符合要求	UL248-13、ISO8820、 JASO-D622、IEC60269 欧盟和 RoHS 指令	Remarks 备注	



产品外形尺寸 (mm) /Overall dimensions of the product (mm)

型号	A±1.5	B±1.5	C±1.5	D±0.5
MEV-H-F00	51	44	50	20.5
MEV-H-G00	59	44	51	24.5



产品型号/Product type

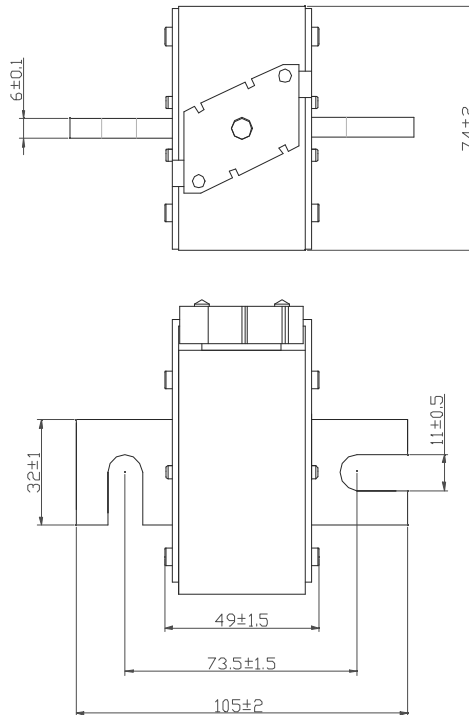
Model 型号	Product code 产品代码	Rated current 额定电流 A	I²t (A²Sec)		Power consumption 功率损耗 W
			弧前	总	
MEV-H-F00	MEV-H-F00-400	400A	13500	91000	65
	MEV-H-F00-450	450A	17000	120000	70
	MEV-H-F00-500	500A	25000	170000	72
	MEV-H-F00-550	550A	34000	230000	75
	MEV-H-F00-630	630A	52000	350000	80
	MEV-H-F00-700	700A	69500	465000	85
	MEV-H-F00-800	800A	105000	725000	95
	MEV-H-F00-900	900A	155000	850000	100
MEV-H-G00	MEV-H-G00-400	400A	11000	74000	65
	MEV-H-G00-450	450A	16000	110000	70
	MEV-H-G00-500	500A	21500	145000	75
	MEV-H-G00-550	550A	28000	190000	80
	MEV-H-G00-630	630A	41000	275000	90
	MEV-H-G00-700	700A	60000	400000	95
	MEV-H-G00-800	800A	86000	575000	105
	MEV-H-G00-900	900A	125000	840000	110
	MEV-H-G00-1000	1000A	180000	1250000	115
	MEV-H-G00-1100	1100A	245000	1600000	120
	MEV-H-G00-1250	1250A	365000	2400000	130



Rated Voltage 额定电压	DC500V、AC690V 或低于	Type Protection 保护类别	aR
Rated Current 额定电流	800A-1800A	Breaking Capacity 分断能力	DC10KA (时间常数≤10ms)
Meet the Requirement 符合要求	UL248-13、ISO8820、 JASO-D622、IEC60269 欧盟和 RoHS 指令	Remarks 备注	



产品外形尺寸 (mm) /Overall dimensions of the product (mm)

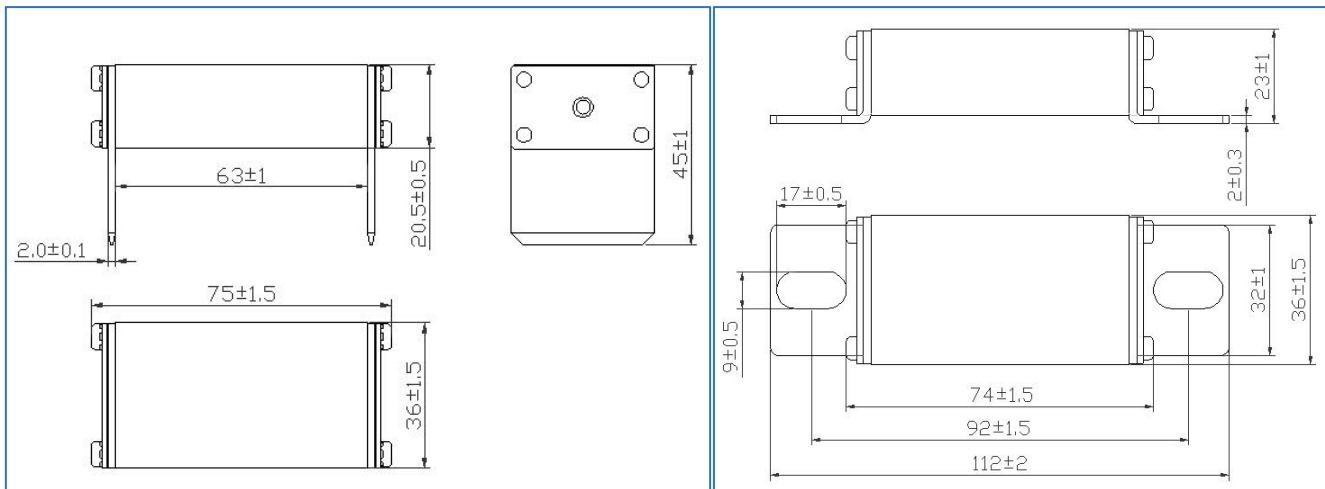


产品型号/Product type

Model 型号	Product code 产品代码	Rated current 额定电流 A	I ² t (A ² Sec)		Power consumption 功率损耗 W
			弧前	总	
MEV-H-H63	MEV-H-H63-800	800A	69200	465000	115
	MEV-H-H63-900	900A	100000	670000	120
	MEV-H-H63-1000	1000A	140000	945000	125
	MEV-H-H63-1100	1100A	190000	1300000	130
	MEV-H-H63-1250	1250A	280000	1900000	140
	MEV-H-H63-1400	1400A	370000	2450000	155
	MEV-H-H63-1500	1500A	460000	3100000	160
	MEV-H-H63-1600	1600A	580000	3900000	160
	MEV-H-H63-1800	1800A	880000	5200000	165

Rated Voltage 额定电压	DC/AC1000V 或低于	Type Protection 保护类别	aR
Rated Current 额定电流	100A-315A	Breaking Capacity 分断能力	DC50KA (时间常数≤10ms)
Meet the Requirement 符合要求	UL248-13、ISO8820、 JASO-D622、IEC60269 欧盟和 RoHS 指令	Remarks 备注	TUV

产品外形尺寸 (mm) /Overall dimensions of the product (mm)



MEV-J-C10

MEV-J-C20

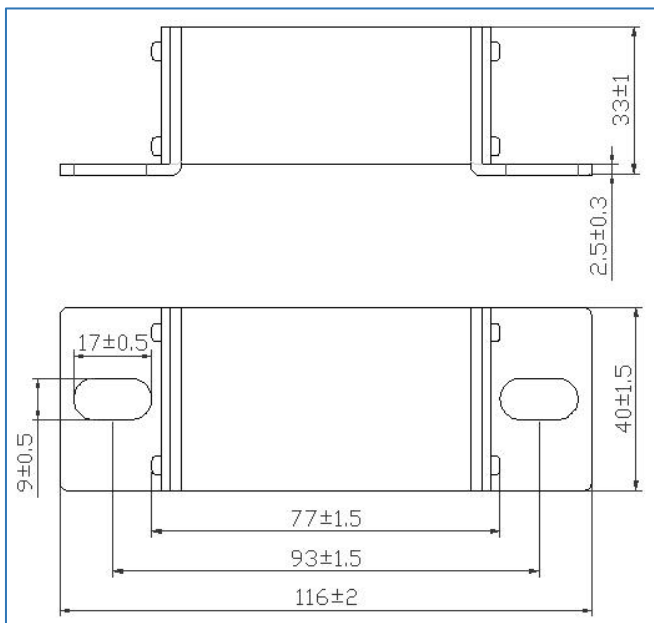
产品型号/Product type

Model 型号	Product code 产品代码	Rated current 额定电流 A	I ² t (A ² Sec)		Power consumption 功率损耗 W
			弧前	总	
MEV-J-C10/ MEV-J-C20	MEV-J-C10/C20-100	100	695	4650	24
	MEV-J-C10/C20-125	125	1200	8500	28
	MEV-J-C10/C20-160	160	2300	16000	32
	MEV-J-C10/C20-200	200	4200	28000	37
	MEV-J-C10/C20-250	250	7750	51500	42
	MEV-J-C10/C20-300	300	10900	73000	50
	MEV-J-C10/C20-315	315	10900	73000	50

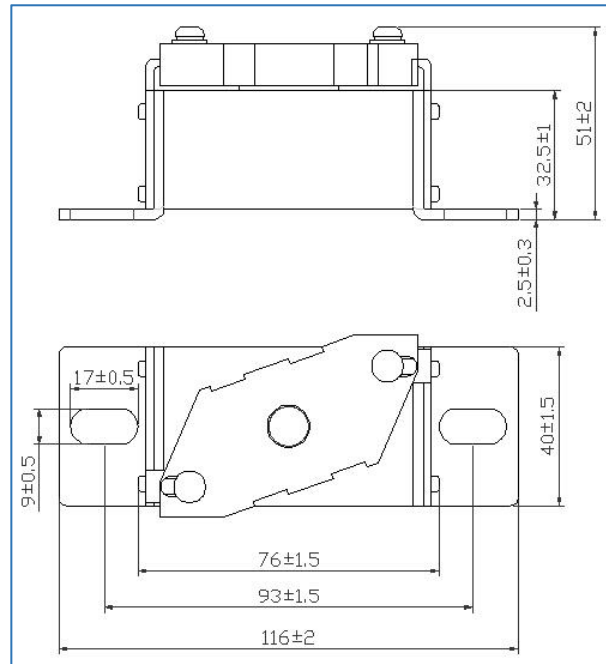


Rated Voltage 额定电压	DC/AC1000V 或低于	Type Protection 保护类别	aR
Rated Current 额定电流	350A-500A	Breaking Capacity 分断能力	DC50KA (时间常数≤10ms)
Meet the Requirement 符合要求	UL248-13、ISO8820、 JASO-D622、IEC60269 欧盟和 RoHS 指令	Remarks 备注	TUV

产品外形尺寸 (mm) /Overall dimensions of the product (mm)



MEV-J-D20



MEV-J-D23 (可选装微动开关)

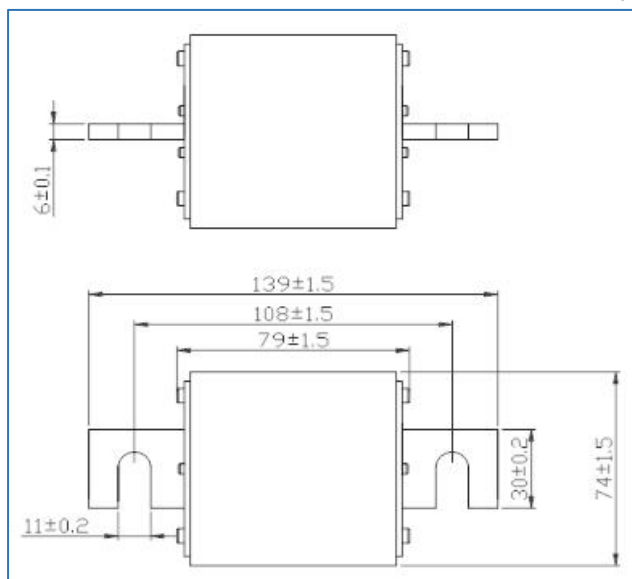
产品型号/Product type

Model 型号	Product code 产品代码	Rated current 额定电流 A	I ² t (A ² Sec)		Power consumption 功率损耗 W
			弧前	总	
MEV-J-D20/ MEV-J-D23	MEV-J-D20-350	350	10900	73000	50
	MEV-J-D20-400	400	10900	73000	50
	MEV-J-D20-500	500	19500	133000	67

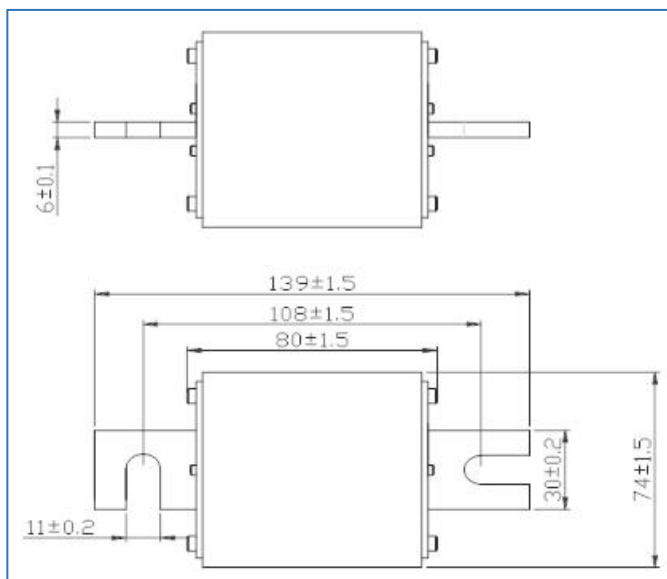


Rated Voltage 额定电压	DC/AC1000V 或低于	Type Protection 保护类别	aR
Rated Current 额定电流	350A-1250A	Breaking Capacity 分断能力	DC10KA (时间常数≤10ms)
Meet the Requirement 符合要求	UL248-13、ISO8820、 JASO-D622、IEC60269 欧盟和 RoHS 指令	Remarks 备注	

产品外形尺寸 (mm) /Overall dimensions of the product (mm)



MEV-J-H40



MEV-J-H60

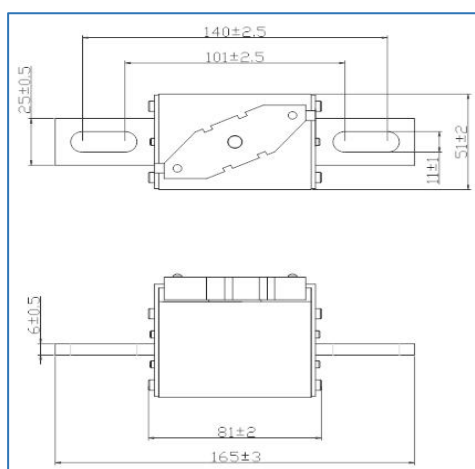
产品型号/Product type

Model 型号	Product code 产品代码	Rated current 额定电流 A	I²t (A²Sec)		Power consumption 功率损耗 W
			弧前	总	
MEV-J-H40/ MEV-J-H60	MEV-J-H40-350/MEV-J-H60-350	350	16600	129000	103
	MEV-J-H40-400/MEV-J-H60-400	400	22900	177000	110
	MEV-J-H40-450/MEV-J-H60-450	450	32100	249000	124
	MEV-J-H40-500/MEV-J-H60-500	500	42900	333000	133
	MEV-J-H40-550/MEV-J-H60-550	550	58000	449000	147
	MEV-J-H40-630/MEV-J-H60-630	630	84800	657000	160
	MEV-J-H40-700/MEV-J-H60-700	700	121000	934000	167
	MEV-J-H40-800/MEV-J-H60-800	800	181000	1400000	175
	MEV-J-H40-900/MEV-J-H60-900	900	265000	2060000	186
	MEV-J-H40-1000/MEV-J-H60-1000	1000	366000	2840000	196
	MEV-J-H40-1100/MEV-J-H60-1100	1100	511000	3960000	200
	MEV-J-H40-1250/MEV-J-H60-1250	1250	660000	5200000	220

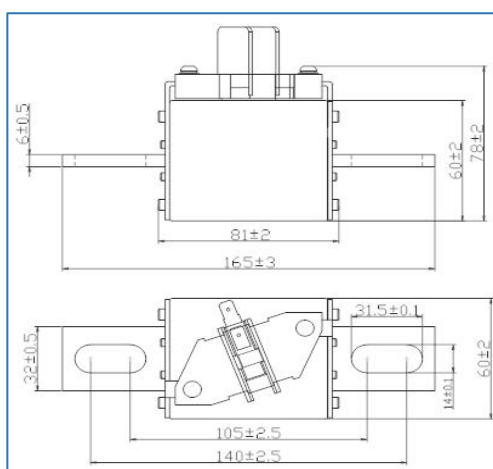


Rated Voltage 额定电压	DC/AC1000V 或低于	Type Protection 保护类别	aR
Rated Current 额定电流	160A-800A	Breaking Capacity 分断能力	DC10KA (时间常数≤10ms)
Meet the Requirement 符合要求	UL248-13、ISO8820、 JASO-D622、IEC60269 欧盟和 RoHS 指令	Remarks 备注	

产品外形尺寸 (mm) /Overall dimensions of the product (mm)



MEV-J-F73 (可选装微动开关)



MEV-J-G73

产品型号/Product type

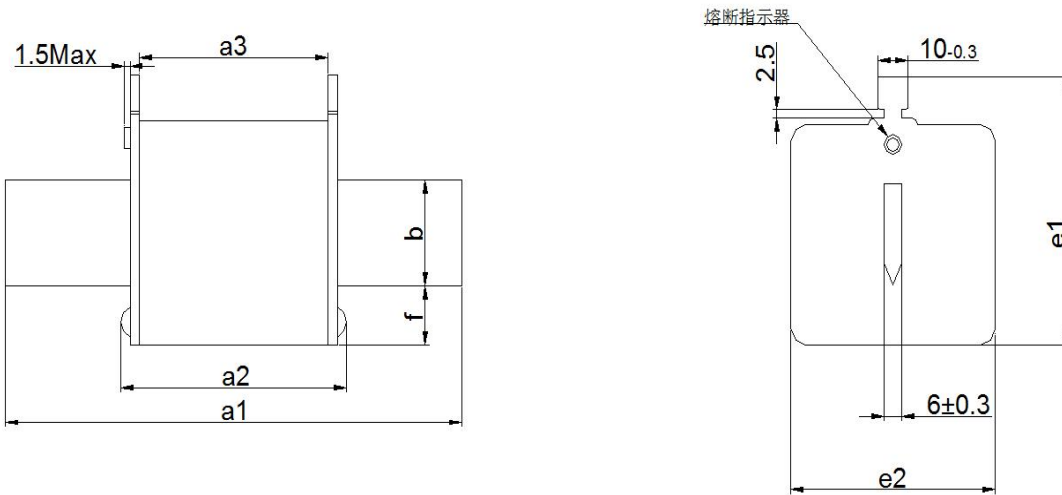
Model 型号	Product code 产品代码	Rated current 额定电流 A	I²t (A²Sec)		Power consumption 功率损耗 W
			弧前	总	
MEV-J-F73	MEV-J-F73-160	160	2800	19000	50
	MEV-J-F73-200	200	5000	31500	60
	MEV-J-F73-250	250	9000	60000	68
	MEV-J-F73-315	315	16000	107000	81
	MEV-J-F73-350	350	22000	145500	86
	MEV-J-F73-400	400	32000	214500	92
	MEV-J-F73-450	450	44500	297000	99
	MEV-J-F73-500	500	62000	414500	103
MEV-J-G73	MEV-J-F73-550	550	82000	548000	109
	MEV-J-G73-250	250	9000	61000	72
	MEV-J-G73-315	315	17000	112000	85
	MEV-J-G73-350	350	22000	150000	92
	MEV-J-G73-400	400	32000	210000	100
	MEV-J-G73-450	450	45000	298000	108
	MEV-J-G73-500	500	61000	402000	115
	MEV-J-G73-550	550	80000	521000	122
	MEV-J-G73-630	630	114000	744000	135
	MEV-J-G73-700	700	160000	1043000	141
MEV-J-G73-800	800	240000	1562000	155	



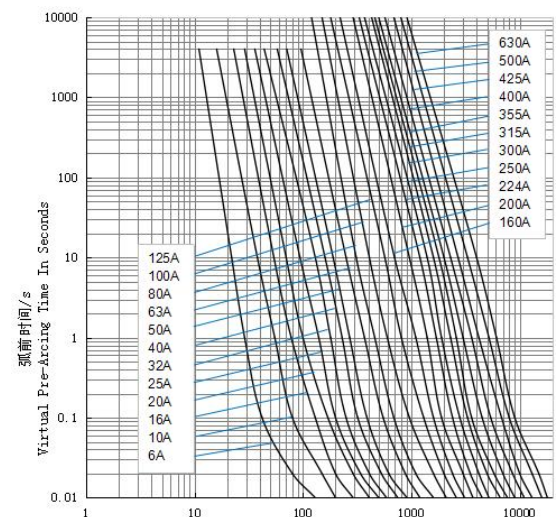
Rated Voltage 额定电压	AC500V/DC440V 或低于	Type Protection 保护类别	aR
Rated Current 额定电流	6A-630A	Breaking Capacity 分断能力	AC500V/120kA DC440V/50kA (时间常数 15-20ms)
Meet the Requirement 符合要求	UL248-13、 IEC60269.4 欧盟和 RoHS 指令	Remarks 备注	



产品外形尺寸 (mm) /Overall dimensions of the product (mm)



	MNH3-00	MNH3-1	MNH3-2	MNH3-3
a1	7.85±1.5	135±2.5	150±2.5	150±2.5
a20-5	54	72	72	72
a3	45±1.5	62±2.5	62±2.5	62±2.5
f(Max)	15	15	15	18
b±0.2	15	20	25	32
e1±3	57	62	72	82
e2	29±1	48±2	58±2	67±3



预期电流/ (有效值, A)
Prospective Current In A (RMS)
尺寸代码00、1、2、3时间-电流特性曲线



产品型号/Product type

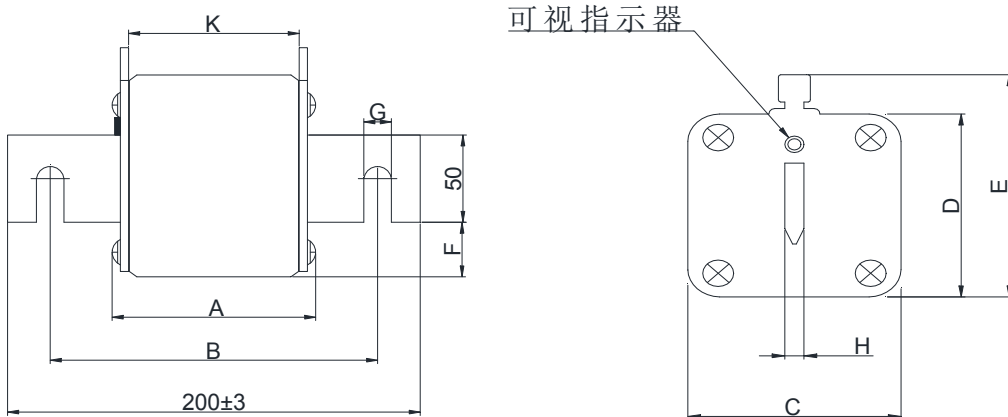
Model 型号	Rated Current 额定电流 A	I²t(A²s)		Power dissipation 功耗 W	Size code 尺寸代码
		弧前	总		
MNH3-00-T6A	6	14	137	1.7	00
MNH3-00-T10A	10	60	280	2	
MNH3-00-T16A	16	280	960	3.1	
MNH3-00-T20A	20	580	2200	3.3	
MNH3-00-T25A	25	1050	3900	3.5	
MNH3-00-T32A	32	2050	5900	4.1	
MNH3-00-T40A	40	3800	9700	4.9	
MNH3-00-T50A	50	5200	13500	5.3	
MNH3-00-T63A	63	6600	20500	6.3	
MNH3-00-T80A	80	10500	30500	6.9	
MNH3-00-T100A	100	19500	59000	8.5	
MNH3-00-T125A	125	39500	119000	9.5	
MNH3-00-T160A	160	72000	192000	11.5	
MNH3-1-T80A	80	9900	29800	7.8	1
MNH3-1-T100A	100	19000	55000	9.6	
MNH3-1-T125A	125	39000	11800	11.5	
MNH3-1-T160A	160	69000	185000	12.8	
MNH3-1-T200A	200	119000	260000	15	
MNH3-1-T224A	224	169000	390000	17	
MNH3-1-T250A	*250	240000	498000	20	
MNH3-2-T125A	125	39000	118000	12	2
MNH3-2-T160A	160	68000	175000	13.5	
MNH3-2-T200A	200	99000	250000	16	
MNH3-2-T224A	224	155000	380000	17.5	
MNH3-2-T250A	*250	220000	485000	21	
MNH3-2-T300A	300	340000	750000	24	
MNH3-2-T315A	315	380000	860000	25	
MNH3-2-T355A	355	525000	1170000	28	
MNH3-3-T400A	400	720000	1550000	31	
MNH3-3-T315A	315	380000	860000	25	
MNH3-3-T355A	355	510000	1150000	29	
MNH3-3-T400A	*400	720000	1650000	31	
MNH3-3-T425A	425	885000	1980000	34	
MNH3-3-T500A	*500	1240000	2950000	38	
MNH3-3-T630A	630	1820000	5300000	44	



Rated Voltage 额定电压	AC690V/DC440V 或低于	Type Protection 保护类别	aR
Rated Current 额定电流	500A-1250A	Breaking Capacity 分断能力	AC690V/100kA DC440V/50kA (时间常数 15-20ms)
Meet the Requirement 符合要求	UL248-13、 IEC60269.4 欧盟和 RoHS 指令	Remarks 备注	



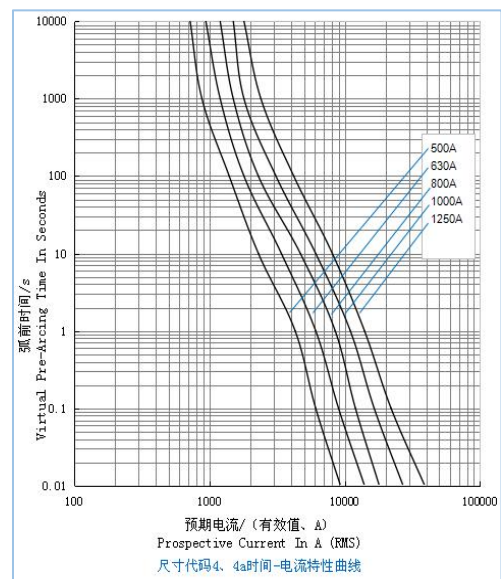
产品外形尺寸 (mm) /Overall dimensions of the product (mm)



尺码	A(Max)	B±2.5	C±1.5	D±1.5	E(Max)	F(Max)	K	H±0.2	G±0.5
4	90	150	100	100	120	25	62±2.5	8	16
4a(500-1250A)	90	-	100	100	120	30	84±3	6	-

产品型号/Product type

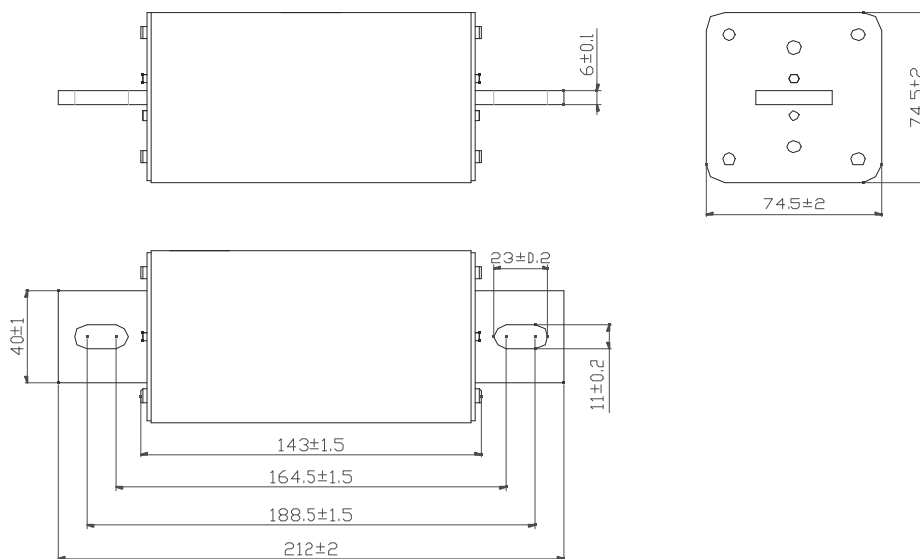
Model 型号	Rated Current 额定电流 A	I²t(A²s)		Power dissipation 功耗 W	Size code 尺寸代码
		弧前	总		
MNH5-G500A	500	975	2250	60	4
MNH5-G630A	630	1732	4520	70	
MNH5-G800A	800	3150	8725	90	
MNH5-G1000A	1000	5665	15700	100	
MNH5-G1250A	1250	12100	28300	110	
MNH5-AG500A	500	975	2250	60	4a
MNH5-AG630A	630	1732	4520	70	
MNH5-AG800A	800	3150	8725	90	
MNH5-AG1000A	1000	5665	15700	100	
MNH5-AG1250A	1250	12100	28300	110	



Rated Voltage 额定电压	DC1500V 或低于	Type Protection 保护类别	aR
Rated Current 额定电流	100A-630A	Breaking Capacity 分断能力	DC100KA (时间常数 4ms)
Meet the Requirement 符合要求	UL248-13、IEC60269.4 欧盟和 RoHS 指令	Remarks 备注	



产品外形尺寸 (mm) / Overall dimensions of the product (mm)



MCH2-3-0 200

额定电流的表示, 200表示产品为200A
 0表示无指示器.
 管号, 表示74.5*74.5
 表示为产品是方形储能系列

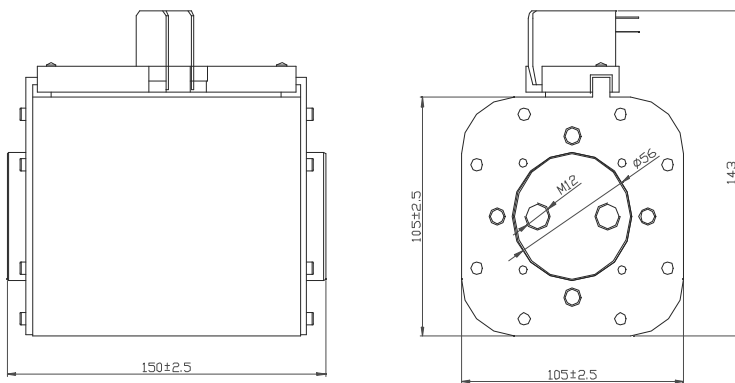
Model 型号	Rated Current 额定电流 A
MCH2-3-100A	100
MCH2-3-200A	200
MCH2-3-300A	300
MCH2-3-400A	400
MCH2-3-450A	450
MCH2-3-500A	500
MCH2-3-550A	550
MCH2-3-630A	630



Rated Voltage 额定电压	DC1500V 或低于	Type Protection 保护类别	aR
Rated Current 额定电流	630A-1800A	Breaking Capacity 分断能力	DC250KA (时间常数 4ms)
Meet the Requirement 符合要求	UL248-13、 IEC60269.4 欧盟和 RoHS 指令	Remarks 备注	

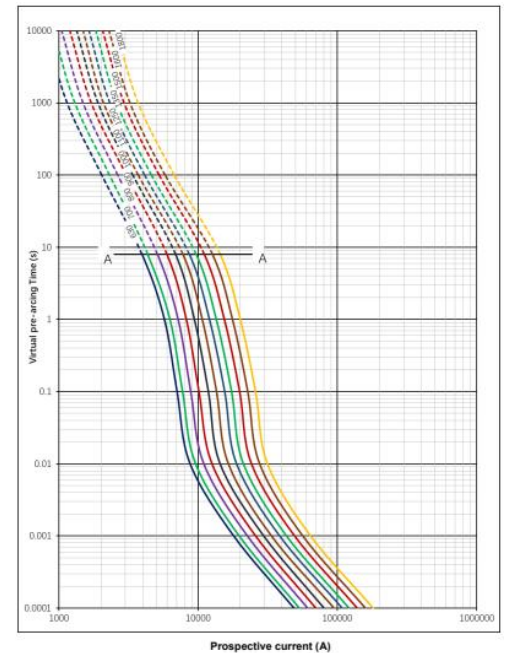


产品外形尺寸 (mm) / Overall dimensions of the product (mm)



电流特性曲线图/

Current characteristic curve



MCH2-4-2 1000

- 1000 额定电流的表示, 1000表示产品为1000A
- 2表示带微动开关.
- 管号 表示 105*105
- 表示为产品是方形储能系列

产品型号/Product type

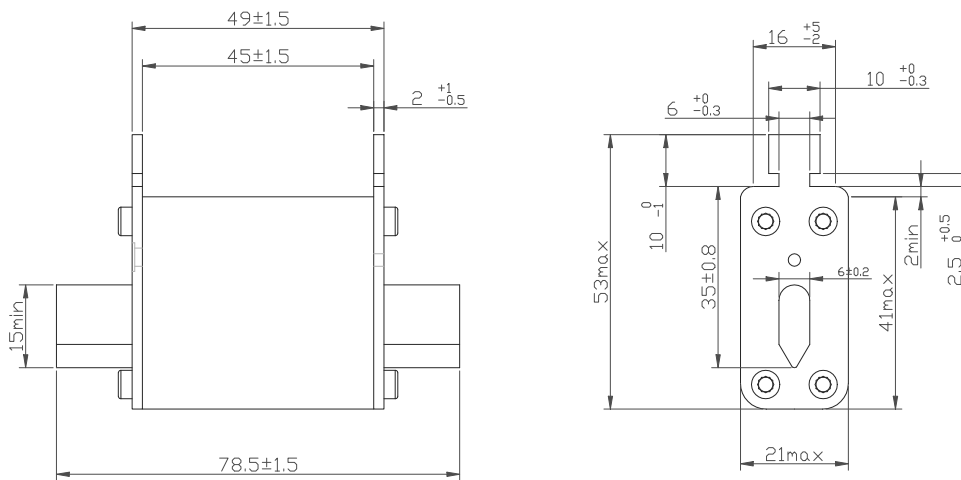
Model 型号	Rated Current 额定电流 A	I ² t(A ² s)		Power dissipation 功耗 W
		弧前	总	
MCH2-4-2-630A	630	169,000	1,098,000	183
MCH2-4-2-700A	700	200,000	1,434,000	192
MCH2-4-2-800A	800	320,000	2,081,000	202
MCH2-4-2-900A	900	467,000	3,035,000	212
MCH2-4-2-1000A	1000	658,000	4,280,000	233
MCH2-4-2-1100A	1100	804,000	5,228,000	241
MCH2-4-2-1250A	1250	1,140,000	7,410,000	262
MCH2-4-2-1350A	1350	1,430,000	9,290,000	273
MCH2-4-2-1500A	1500	1,870,000	12,140,000	286
MCH2-4-2-1600A	1600	2,450,000	15,910,000	284
MCH2-4-2-1800A	1800	3,170,000	20,570,000	315



Rated Voltage 额定电压	AC500V / DC250V	Type Protection 保护类别	aR
Rated Current 额定电流	2A-100A	Breaking Capacity 分断能力	AC120KA
Meet the Requirement 符合要求	IEC60269、 欧盟和 RoHS 指令	Remarks 备注	

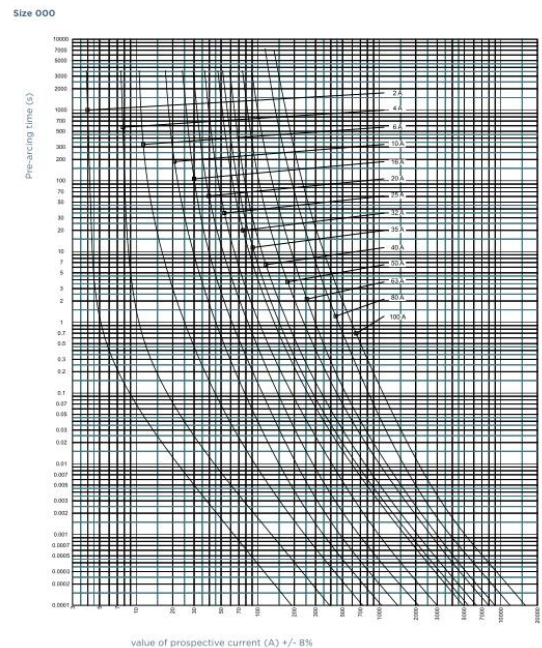


产品外形尺寸 (mm) / Overall dimensions of the product (mm)

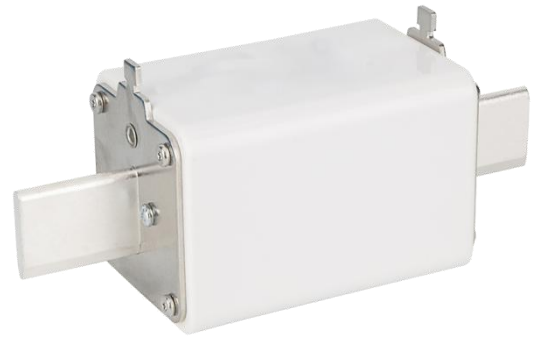


产品型号/Product type

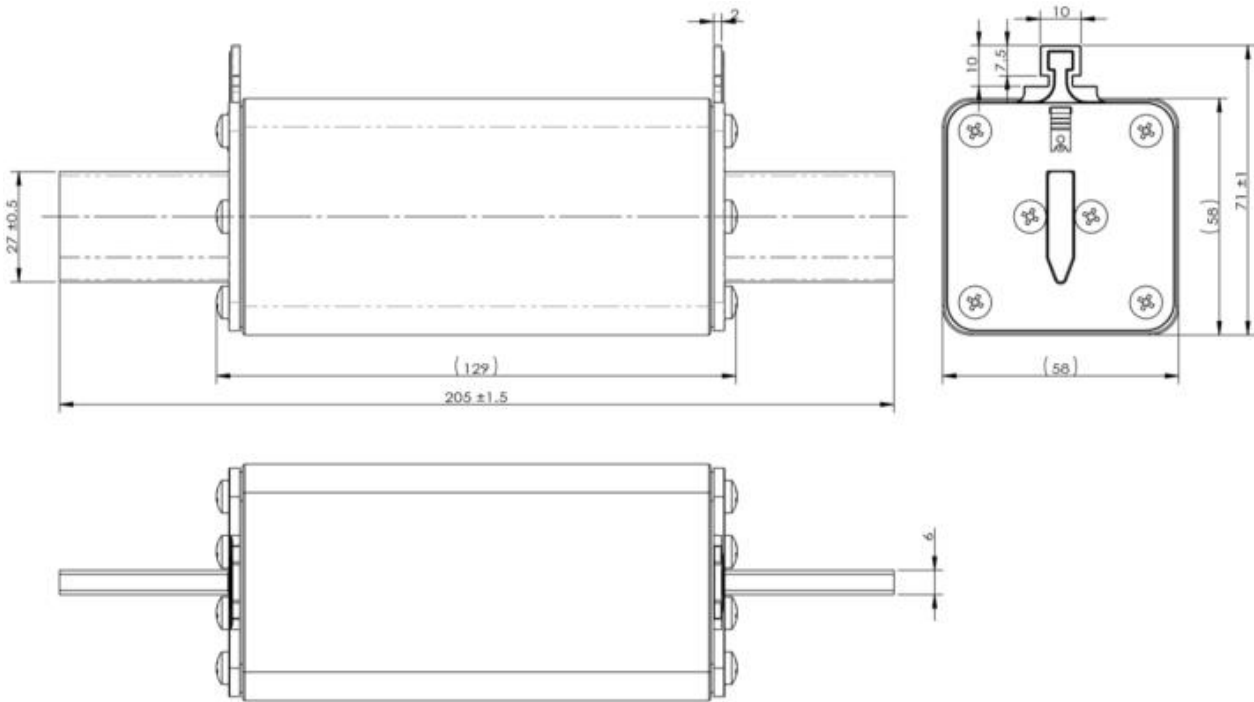
Model 型号	Rated Current 额定电流 A	Power dissipation 功耗 W
PVN-000-002	2A	1.9
PVN-000-004	4A	1.5
PVN-000-006	6A	1.6
PVN-000-010	10A	1.1
PVN-000-016	16A	1.8
PVN-000-020	20A	2.3
PVN-000-025	25A	2.4
PVN-000-032	32A	3.1
PVN-000-035	35A	3.0
PVN-000-040	40A	3.7
PVN-000-050	50A	4.1
PVN-000-063	63A	5.4
PVN-000-080	80A	6.5
PVN-000-100	100A	7.5



Rated Voltage 额定电压	DC1500V	Type Protection 保护类别	aR
Rated Current 额定电流	63A-400A	Breaking Capacity 分断能力	DC50KA (时间常数 1-3ms)
Meet the Requirement 符合要求	UL248-19、 IEC60269.6 欧盟和 RoHS 指令	Remarks 备注	



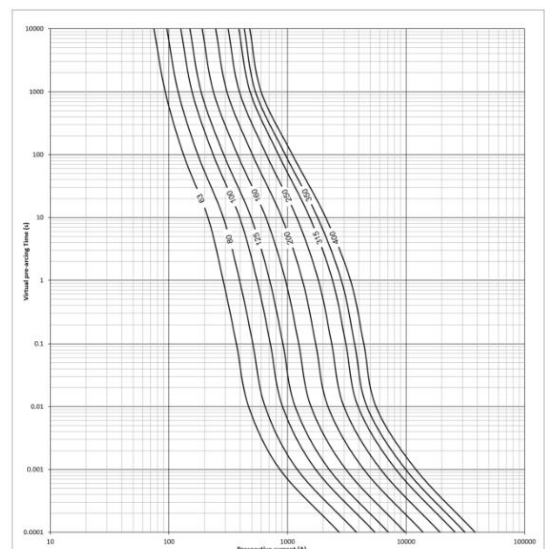
产品外形尺寸 (mm) /Overall dimensions of the product (mm)



产品型号/Product type

Rated voltage 额定电压 V	Rated Current 额定电流 A	I ² t(A ² s)		Power dissipation 功耗 W
		弧前	总	
1500VDC	63	700	2000	27
	80	1500	4000	31
	100	3000	8000	35
	125	5000	14000	43
	160	9700	28000	53
	200	19400	58000	59
	250	37400	112000	68
	315	67300	202000	83
	350	98600	296000	86
400	146100	438200	95	

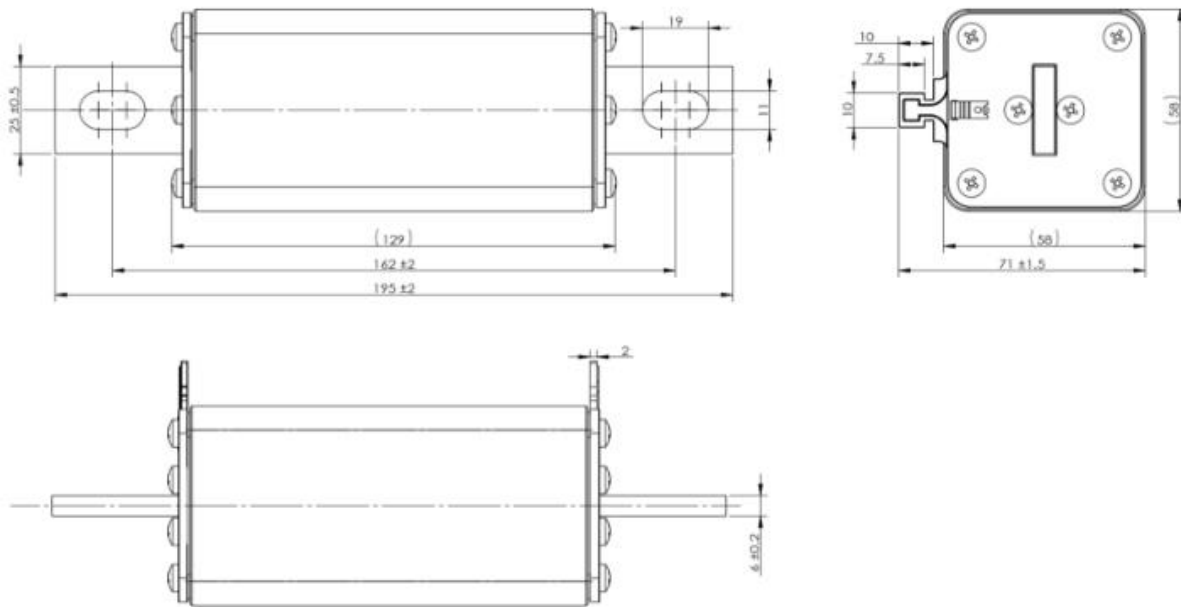
电流特性曲线图/Current characteristic curve



Rated Voltage 额定电压	DC1500V	Type Protection 保护类别	aR
Rated Current 额定电流	63A-400A	Breaking Capacity 分断能力	DC50KA (时间常数 1-3ms)
Meet the Requirement 符合要求	UL248-19、 IEC60269.6 欧盟和 RoHS 指令	Remarks 备注	



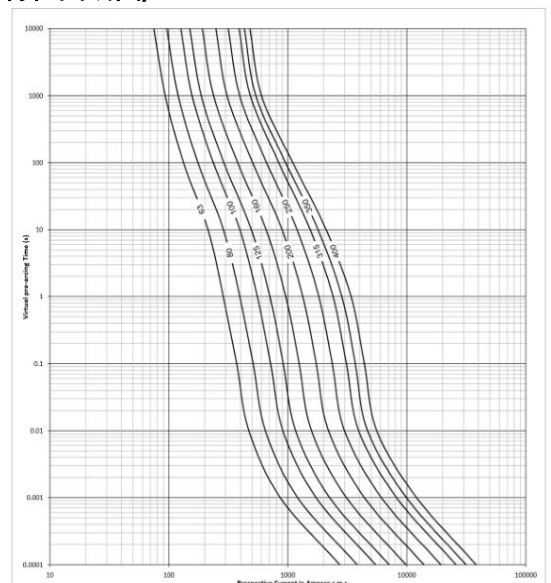
产品外形尺寸 (mm) / Overall dimensions of the product (mm)



产品型号/Product type

Rated voltage 额定电压 V	Rated Current 额定电流 A	I²t(A²s)		Power dissipation 功耗 W
		弧前	总	
1500VDC	63	700	2000	27
	80	1500	4000	31
	100	3000	8000	35
	125	5000	14000	43
	160	9700	28000	53
	200	19400	58000	59
	250	37400	112000	68
	315	67300	202000	83
	350	98600	296000	86
400	146100	438200	95	

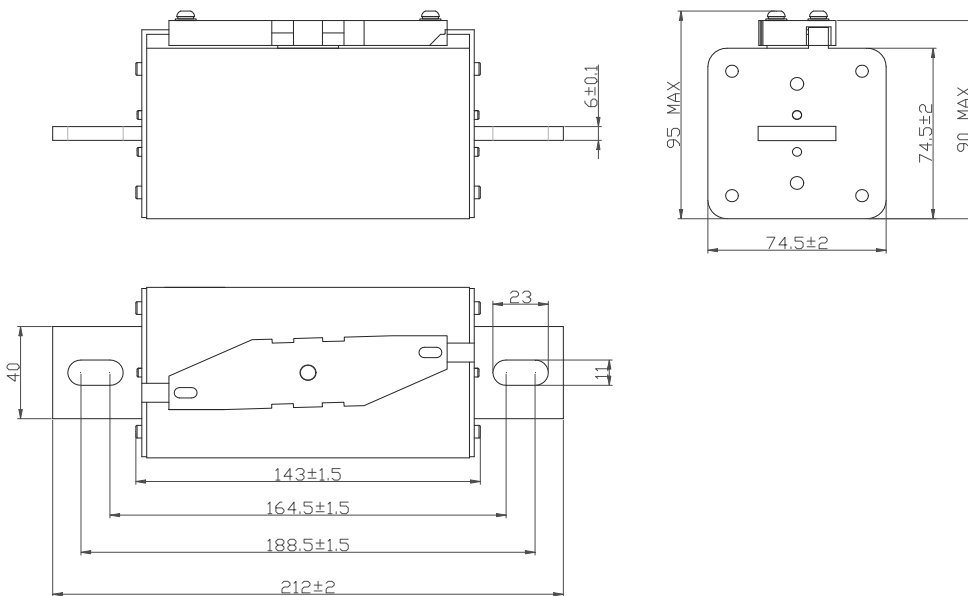
电流特性曲线图/Current characteristic curve



Rated Voltage 额定电压	DC1500V	Type Protection 保护类别	aR
Rated Current 额定电流	400A-630A	Breaking Capacity 分断能力	DC100KA (时间常数 4ms)
Meet the Requirement 符合要求	IEC60269.4、 UL248-13、 欧盟和 RoHS 指令	Remarks 备注	



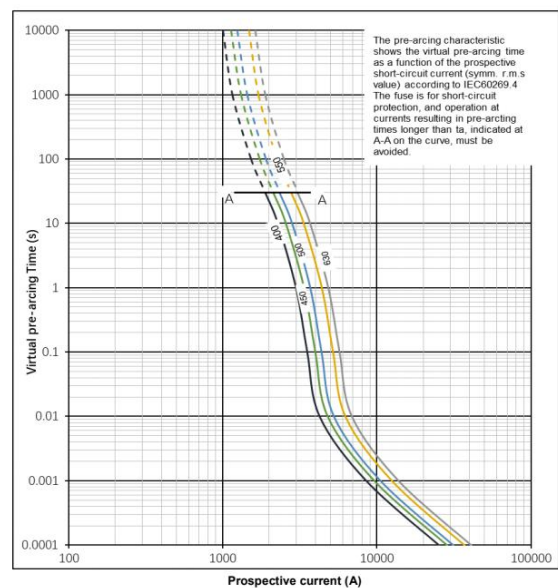
产品外形尺寸 (mm) / Overall dimensions of the product (mm)



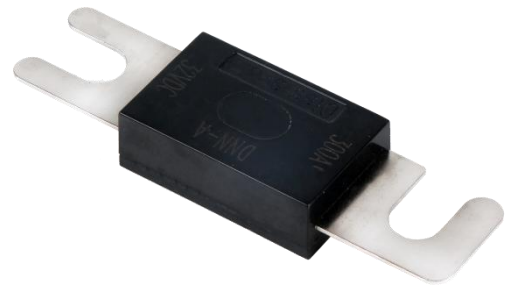
产品型号/Product type

Rated voltage 额定电压	Rated Current 额定电流 A	I ² t(A ² s)		Power dissipation 功耗 W
		弧前	总	
1500VDC	400	60,000	299,000	120
	450	78,000	367,000	140
	500	96,000	444,000	150
	550	138,000	630,000	160
	630	172,000	775,000	190

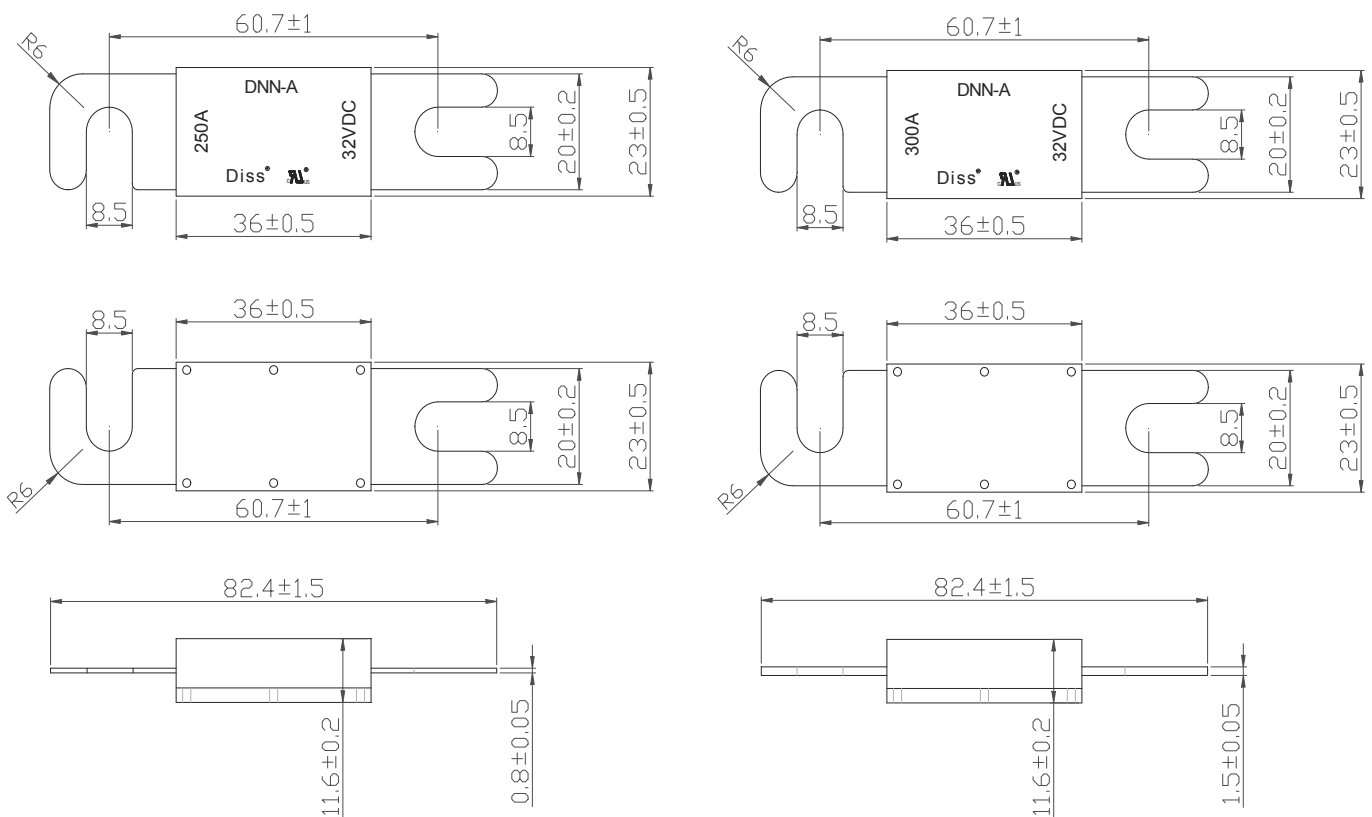
电流特性曲线图/Current characteristic curve



Rated Voltage 额定电压	32VDC	Type Protection 保护类别	Time-lag
Rated Current 额定电流	10A-500A	Breaking Capacity 分断能力	DC2700A
Meet the Requirement 符合要求	UL248-13、ISO8820、 JASO-D622、 欧盟和 RoHS 指令	Remarks 备注	UL



产品外形尺寸 (mm) / Overall dimensions of the product (mm)



Reference drawing for ampere size less than or equal to 275A
小于或等于 275A 的安培数尺寸参照图

Reference diagram of ampere size greater than or equal to 300A
大于或等于 300A 的安培数尺寸参照图

制造材料/Manufacturing material

性能标准/Performance criteria

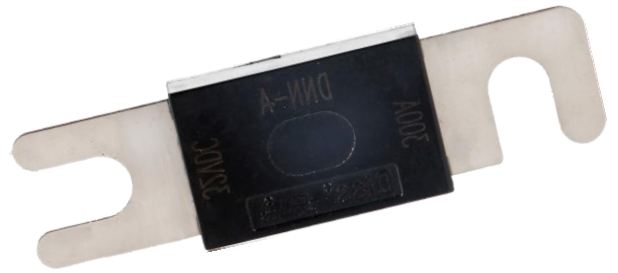
Component name 部件名称	Material 材料
Contact the foot 接触脚	Copper alloy 铜合金
Noumenon 本体	Electric wood shell 电木壳

Load (测试电流)	Opening time (熔断时间)	
	10A~500A	
	最小时间 min	最大时间 max
110%	14400	∞
160%	10	∞
200%(200A 及以下)	0	100
200%(200A 以上)	0	300
250%(200A 及以下)	0	60
250%(200A 以上)	0.8	120
600%	0.02	10

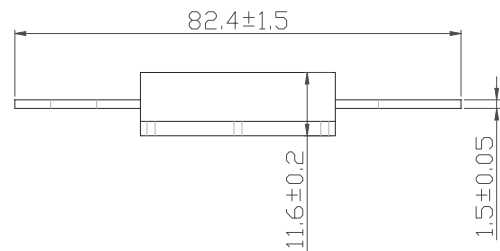
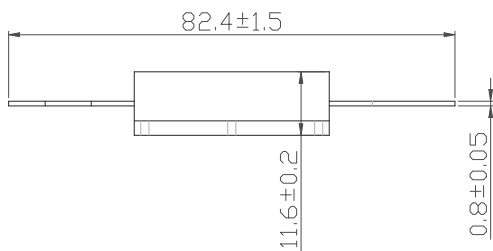
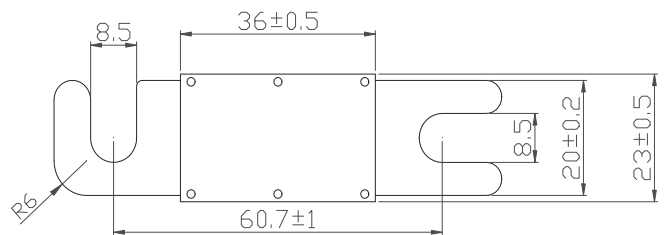
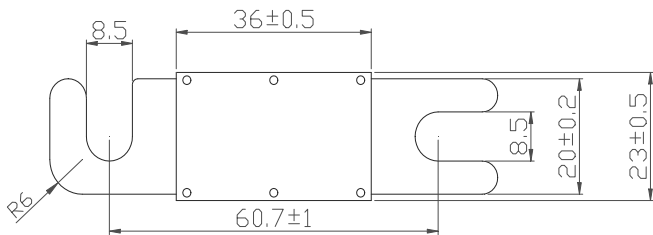
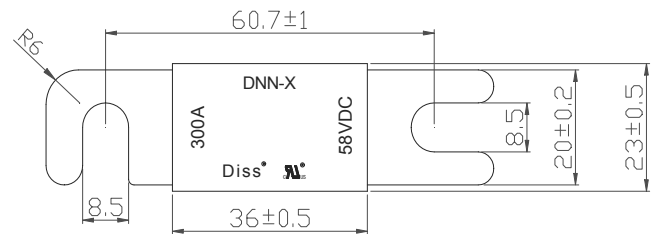
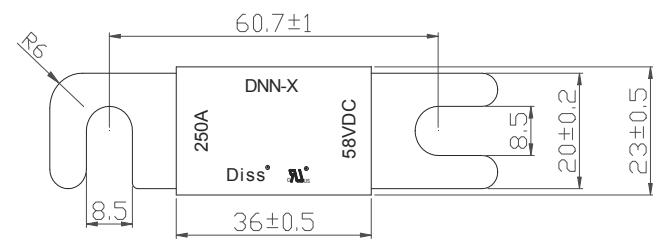
Model 型号	Product code 产品代码	Rated current 额定电流 A	Installation requirement 安装要求
DNN-A	DNN-A-35	35	Install bolt M8, recommended torque 10N·m ±1 N·m 安装螺栓 M8, 推荐扭矩 10N·m±1 N·m
	DNN-A-40	40	
	DNN-A-50	50	
	DNN-A-60	60	
	DNN-A-80	80	
	DNN-A-100	100	
	DNN-A-125	125	
	DNN-A-130	130	
	DNN-A-150	150	
	DNN-A-175	175	
	DNN-A-200	200	
	DNN-A-225	225	
	DNN-A-250	250	
	DNN-A-275	275	
	DNN-A-300	300	
	DNN-A-325	325	
	DNN-A-350	350	
	DNN-A-400	400	
DNN-A-425	425		
DNN-A-450	450		
DNN-A-500	500		



Rated Voltage 额定电压	58VDC	Type Protection 保护类别	Time-lag
Rated Current 额定电流	10A-500A	Breaking Capacity 分断能力	DC2700A
Meet the Requirement 符合要求	UL248-13、ISO8820、 JASO-D622、 欧盟和 RoHS 指令	Remarks 备注	UL



产品外形尺寸 (mm) / Overall dimensions of the product (mm)



Reference drawing for ampere size less than or equal to 275A
小于或等于 275A 的安培数尺寸参照图

Reference diagram of ampere size greater than or equal to 300A
大于或等于 300A 的安培数尺寸参照图

制造材料/Manufacturing material

性能标准/Performance criteria

Component name 部件名称	Material 材料
Contact the foot 接触脚	Copper alloy 铜合金
Noumenon 本体	Electric wood shell 电木壳

Load (测试电流)	Opening time (熔断时间)	
	10A~500A	
	最小时间 min	最大时间 max
110%	14400	∞
160%	10	∞
200%(200A 及以下)	0	100
200%(200A 以上)	0	300
250%(200A 及以下)	0	60
250%(200A 以上)	0.8	120
600%	0.02	10

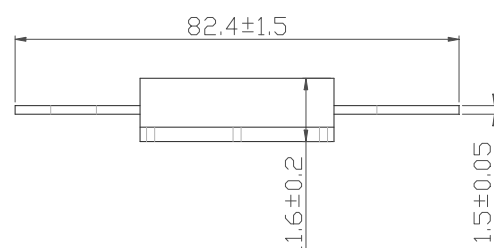
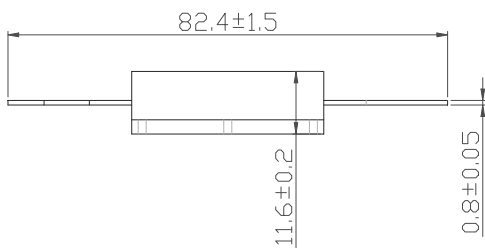
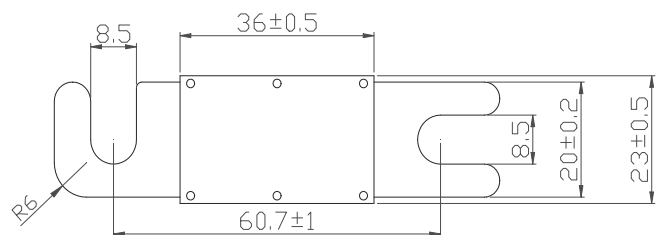
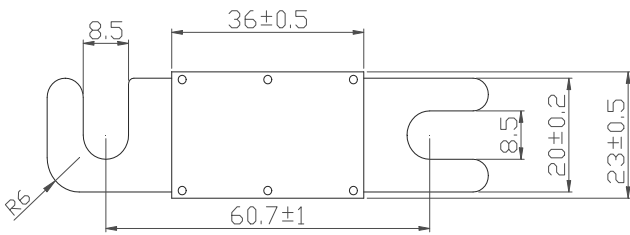
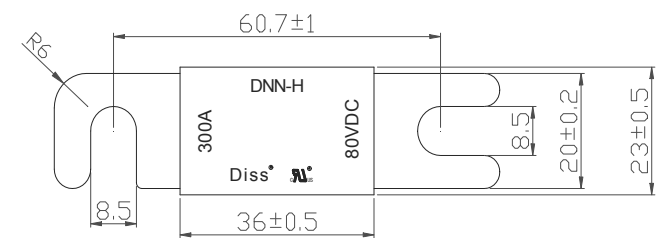
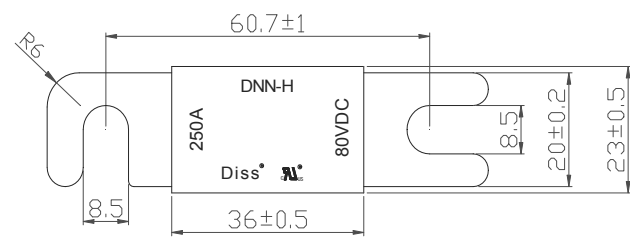
Model 型号	Product code 产品代码	Rated current 额定电流 A	Installation requirement 安装要求
DNN-X	DNN-X-35	35	InstXII bolt M8, recommended torque 10N·m ±1 N·m 安装螺栓 M8, 推荐扭矩 10N·m±1 N·m
	DNN-X-40	40	
	DNN-X-50	50	
	DNN-X-60	60	
	DNN-X-80	80	
	DNN-X-100	100	
	DNN-X-125	125	
	DNN-X-130	130	
	DNN-X-150	150	
	DNN-X-175	175	
	DNN-X-200	200	
	DNN-X-225	225	
	DNN-X-250	250	
	DNN-X-275	275	
	DNN-X-300	300	
	DNN-X-325	325	
	DNN-X-350	350	
	DNN-X-400	400	
	DNN-X-425	425	
DNN-X-450	450		
DNN-X-500	500		



Rated Voltage 额定电压	80VDC/125VAC	Type Protection 保护类别	Time-lag
Rated Current 额定电流	10A-500A	Breaking Capacity 分断能力	DC2700A
Meet the Requirement 符合要求	UL248-13、ISO8820、 JASO-D622、 欧盟和 RoHS 指令	Remarks 备注	UL



产品外形尺寸 (mm) / Overall dimensions of the product (mm)



Reference drawing for ampere size less than or equal to 275A
小于或等于 275A 的安培数尺寸参照图

Reference diagram of ampere size greater than or equal to 300A
大于或等于 300A 的安培数尺寸参照图

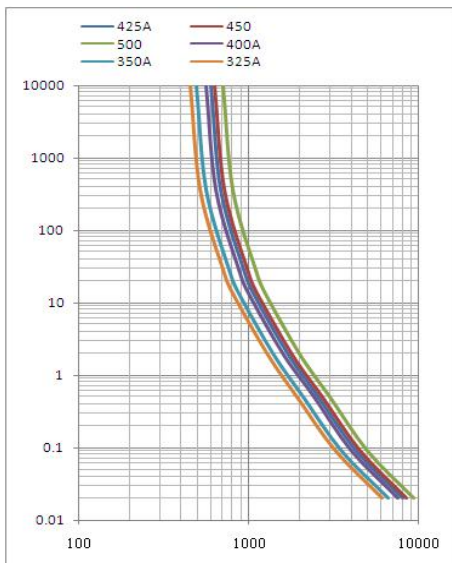
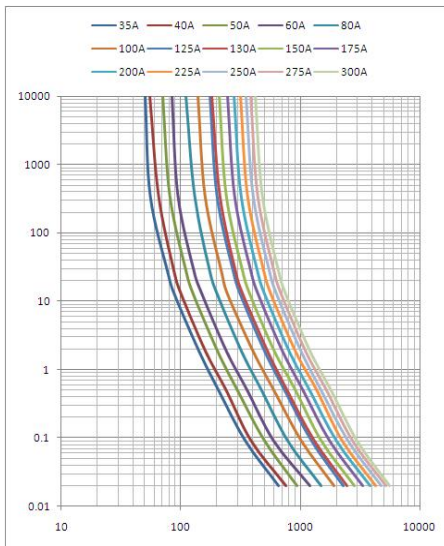
制造材料/Manufacturing material

性能标准/Performance criteria

Component name 部件名称	Material 材料
Contact the foot 接触脚	Copper alloy 铜合金
Noumenon 本体	Electric wood shell 电木壳

Load (测试电流)	Opening time (熔断时间)	
	10A~500A	
	最小时间 min	最大时间 max
110%	14400	∞
160%	10	∞
200%(200A 及以下)	0	100
200%(200A 以上)	0	300
250%(200A 及以下)	0	60
250%(200A 以上)	0.8	120
600%	0.02	10

电流特性曲线图/
Current characteristic curve



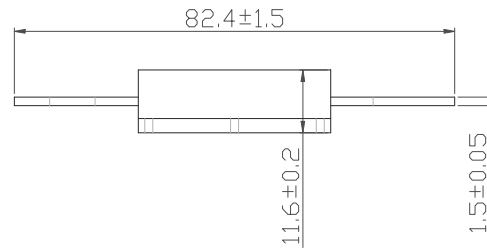
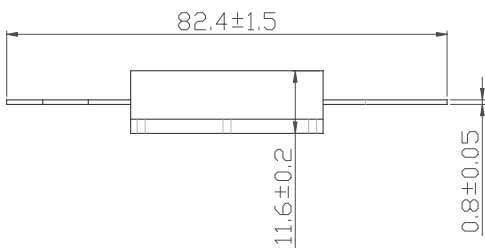
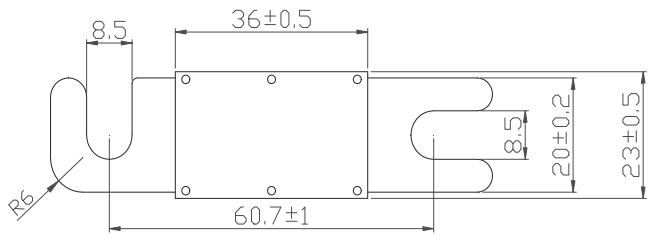
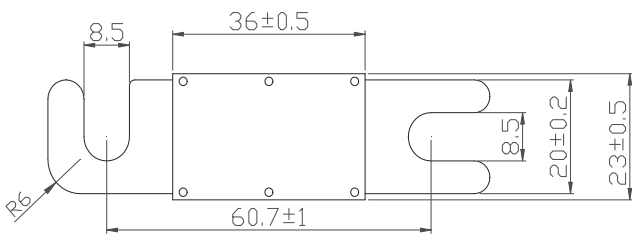
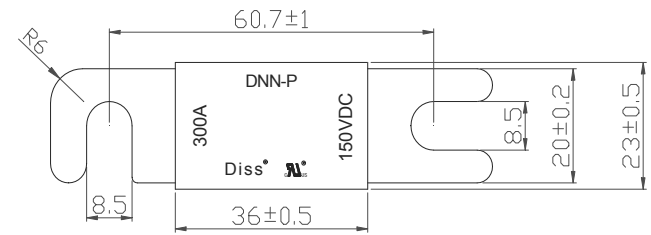
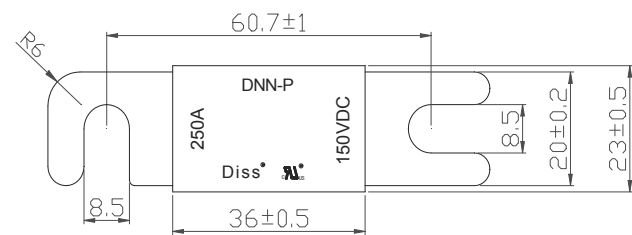
Model 型号	Product code 产品代码	Rated current 额定电流 A	Voltage drop 电压降 mV	Installation requirement 安 装要求
DNN-H	DNN-H-35	35	130	Install bolt M8, recommended torque 10N·m ±1 N·m 安装螺栓 M8, 推荐扭矩 10N·m±1 N·m
	DNN-H-40	40	125	
	DNN-H-50	50	120	
	DNN-H-60	60	116	
	DNN-H-80	80	112	
	DNN-H-100	100	110	
	DNN-H-125	125	105	
	DNN-H-130	130	100	
	DNN-H-150	150	96	
	DNN-H-175	175	90	
	DNN-H-200	200	86	
	DNN-H-225	225	83	
	DNN-H-250	250	80	
	DNN-H-275	275	77	
	DNN-H-300	300	75	
	DNN-H-325	325	83	
	DNN-H-350	350	81	
	DNN-H-400	400	80	
	DNN-H-425	425	78	
	DNN-H-450	450	78	
DNN-H-500	500	76		



Rated Voltage 额定电压	150VDC/250VAC	Type Protection 保护类别	Time-lag 慢断
Rated Current 额定电流	10A-500A	Breaking Capacity 分断能力	DC2700A
Meet the Requirement 符合要求	UL248-20、ISO8820、 JASO-D622、 欧盟和 RoHS 指令	Remarks 备注	UL



产品外形尺寸 (mm) / Overall dimensions of the product (mm)



Reference drawing for ampere size less than or equal to 275A
小于或等于 275A 的安培数尺寸参照图

Reference diagram of ampere size greater than or equal to 300A
大于或等于 300A 的安培数尺寸参照图

制造材料/Manufacturing material

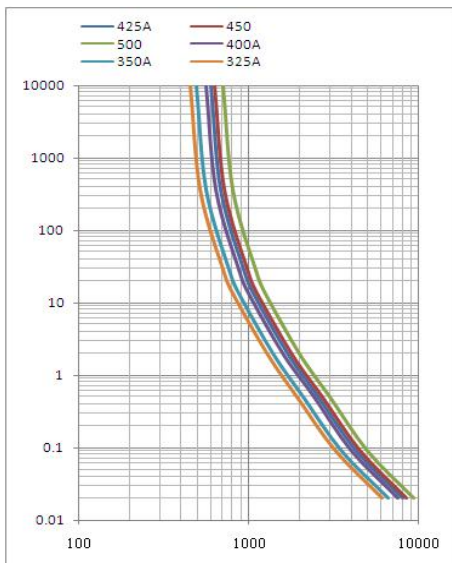
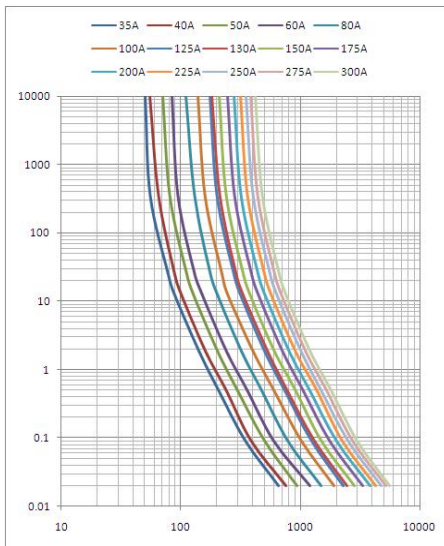
性能标准/Performance criteria

Component name 部件名称	Material 材料
Contact the foot 接触脚	Copper alloy 铜合金
Noumenon 本体	Electric wood shell 电木壳

Load (测试电流)	Opening time (熔断时间)	
	10A~500A	
	最小时间 min	最大时间 max
110%	14400	∞
160%	10	∞
200%(200A 及以下)	0	100
200%(200A 以上)	0	300
250%(200A 及以下)	0	60
250%(200A 以上)	0.8	120
600%	0.02	10

电流特性曲线图/

Current characteristic curve



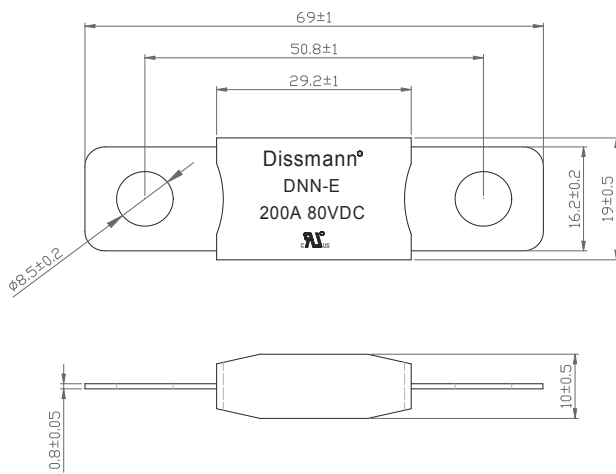
Model 型号	Product code 产品代码	Rated current 额定电流 A	Voltage drop 电压降 mV	Installation requirement 安装要求
DNN-H	DNN-P-35	35	130	Install bolt M8, recommended torque 10N·m ±1 N·m 安装螺栓 M8, 推荐扭矩 10N·m±1 N·m
	DNN-P-40	40	125	
	DNN-P-50	50	120	
	DNN-P-60	60	116	
	DNN-P-80	80	112	
	DNN-P-100	100	110	
	DNN-P-125	125	105	
	DNN-P-130	130	100	
	DNN-P-150	150	96	
	DNN-P-175	175	90	
	DNN-P-200	200	86	
	DNN-P-225	225	83	
	DNN-P-250	250	80	
	DNN-P-275	275	77	
	DNN-P-300	300	75	
	DNN-P-325	325	83	
	DNN-P-350	350	81	
	DNN-P-400	400	80	
DNN-P-425	425	78		
DNN-P-450	450	78		
DNN-P-500	500	76		



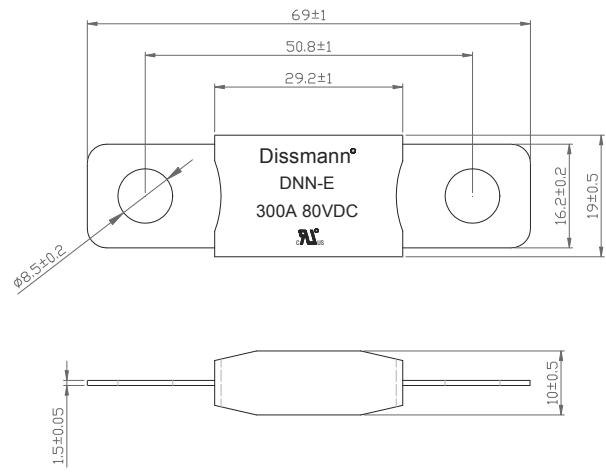
Rated Voltage 额定电压	32VDC/58VDC/80VDC C	Type Protection 保护类别	Time-lag 慢断
Rated Current 额定电流	10A-500A	Breaking Capacity 分断能力	DC2700A
Meet the Requirement 符合要求	UL248-13、ISO8820、 JASO-D622、 欧盟和 RoHS 指令	Remarks 备注	UL



产品外形尺寸 (mm) /Overall dimensions of the product (mm)



Reference Drawing of Amps Size greater than or equal to 250A
大于或等于 250A 的安培数尺寸参照图



Amp size less than or equal to 225A reference drawing 小于或等于 225A 的安培数尺寸参照图

制造材料/Manufacturing material

Component name 部件名称	Material 材料
Contact the foot 接触脚	copper alloy 铜合金
Noumenon 本体	Ceramics 陶瓷

产品型号/Product type

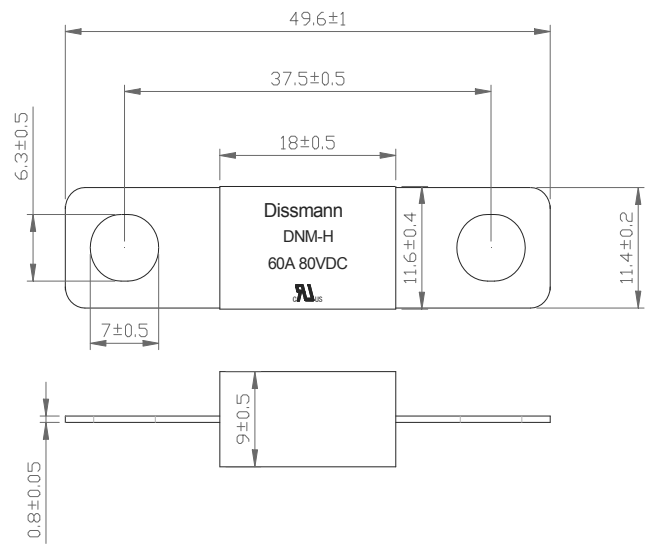
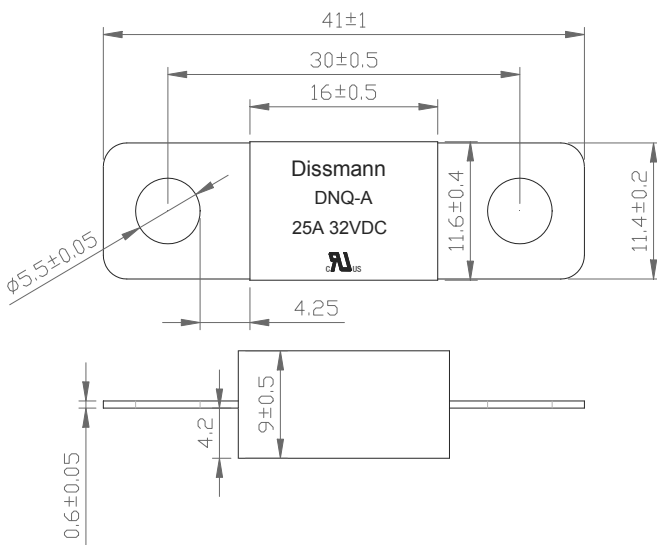
Rated current 额定电流	Rated voltage 额定电压	Rated voltage 分断能力
10A~500A	32Vdc	2700A
10A~500A	58Vdc	2700A
10A~500A	80Vdc	2700A



Rated Voltage 额定电压	32VDC/58VDC/80VDC	Type Protection 保护类别	Time-lag 慢断
Rated Current 额定电流	5A-200A	Breaking Capacity 分断能力	DC1500A
Meet the Requirement 符合要求	UL248-20、ISO8820、 JASO-D622、 欧盟和 RoHS 指令	Remarks 备注	UL



产品外形尺寸 (mm) /Overall dimensions of the product (mm)



制造材料/Manufacturing material

Component name 部件名称	Material 材料
Contact the foot 接触脚	Kirsite 锌合金/ Copper alloy 铜合金
Noumenon 本体	Ceramics 陶瓷

产品型号/Product type

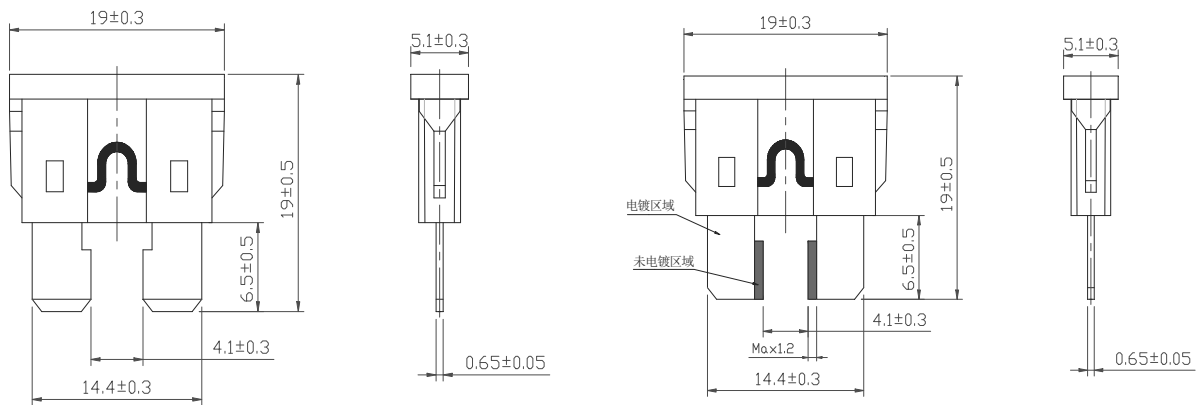
Model 型号	Rated current 额定电流	Rated voltage 额定电压	Rated voltage 分断能力
DNQ-A	5A~200A	32Vdc	1.5KA
DNQ-X	5A~200A	58Vdc	1.5KA
DNQ-H	5A~200A	80Vdc	1.5KA
DNM-A	5A~200A	32Vdc	1.5KA
DNM-X	5A~200A	58Vdc	1.5KA
DNM-H	5A~200A	80Vdc	1.5KA



Rated Voltage 额定电压	32VDC	Characteristic 特性	F 快断
Rated Current 额定电流	1A-40A	Breaking Capacity 分断能力	DC1000A
Meet the Requirement 符合要求	UL248、ISO8820、 欧盟和 RoHS 指令	Remarks 备注	UL



产品外形尺寸 (mm) / Overall dimensions of the product (mm)

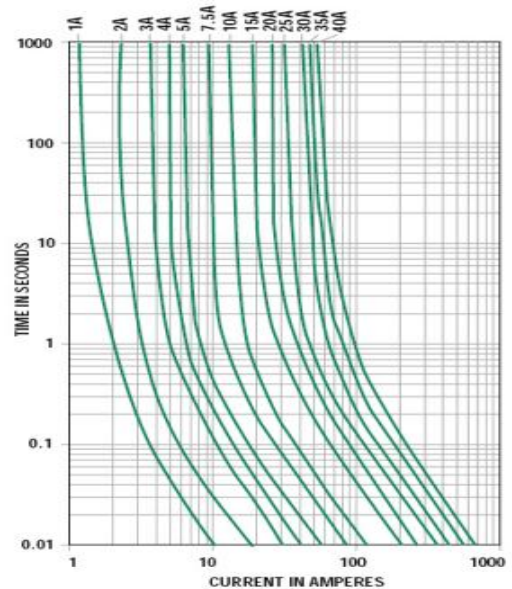


产品型号/Product type

Model 型号	Product code 产品代码	Rated current 额定电 流 A	I^2t (A ² S ec)	Voltage drop 电压降 mV	Pigment 颜色
DFN-A	DFN-A-1	1	0.4	174	黑色 (Black)
	DFN-A-2	2	1.5	140	灰色 (Gray)
	DFN-A-3	3	6.3	137	浅紫色 (Violet)
	DFN-A-4	4	13	135	粉红色 (Pink)
	DFN-A-5	5	25	125	浅棕色 (Tan)
	DFN-A-7.5	7.5	56	115	棕色 (Brown)
	DFN-A-10	10	110	110	红色 (Red)
	DFN-A-15	15	295	102	蓝色 (Blue)
	DFN-A-20	20	480	96	黄色 (Yellow)
	DFN-A-25	25	1000	90	透明色 (Clear)
	DFN-A-30	30	1460	86	绿色 (Green)
	DFN-A-35	35	2205	88	深绿色 (Dark Green)
	DFN-A-40	40	3200	95	橙色 (Orange)

电流特性曲线图/

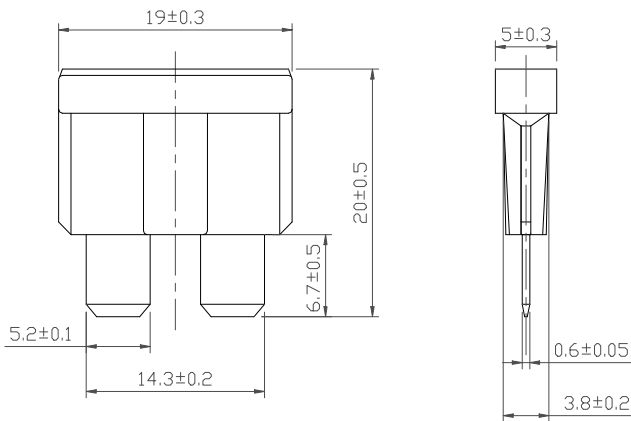
Current characteristic curve



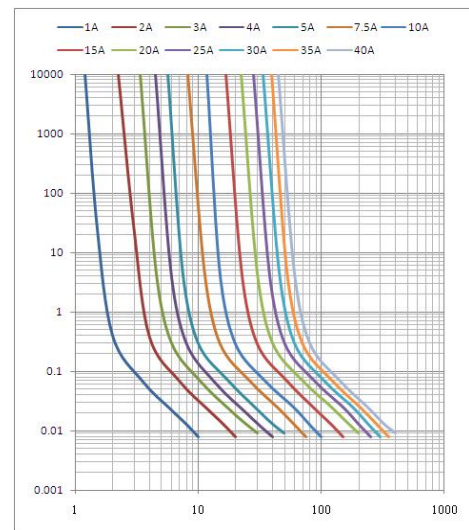
Rated Voltage 额定电压	58VDC	Characteristic 特性	F 快断
Rated Current 额定电流	1A-40A	Breaking Capacity 分断能力	DC1000A
Meet the Requirement 符合要求	UL248、ISO8820、 欧盟和 RoHS 指令	Remarks 备注	UL



产品外形尺寸 (mm) /Overall dimensions of the product (mm)



电流特性曲线图/Current characteristic curve



产品型号/Product type

Model 型号	Product code 产品代码	Rated current 额定电 流 A	I ² t (A ² Se c)	Voltage drop 电压降 mV	Pigment 颜色
DFN-X	DFN-X-1	1	0.4	174	黑色 (Black)
	DFN-X-2	2	1.5	140	灰色 (Gray)
	DFN-X-3	3	6.3	137	浅紫色 (Violet)
	DFN-X-4	4	13	135	粉红色 (Pink)
	DFN-X-5	5	25	125	浅棕色 (Tan)
	DFN-X-7.5	7.5	56	115	棕色 (Brown)
	DFN-X-10	10	110	110	红色 (Red)
	DFN-X-15	15	295	102	蓝色 (Blue)
	DFN-X-20	20	480	96	黄色 (Yellow)
	DFN-X-25	25	1000	90	透明色 (Clear)
	DFN-X-30	30	1460	86	绿色 (Green)
	DFN-X-35	35	2205	88	深绿色 (Dark Green)
	DFN-X-40	40	3200	95	橙色 (Orange)

性能标准/Performance criteria

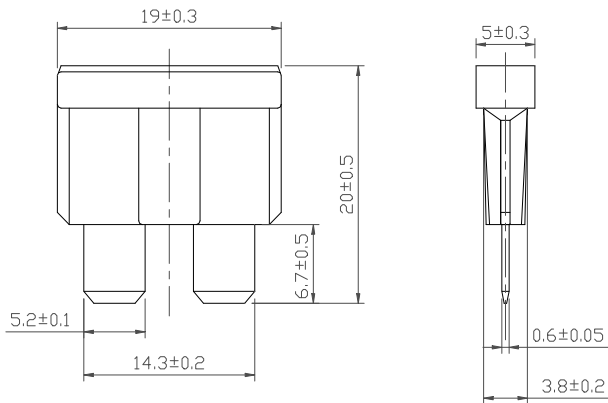
测试电流项目 Test current item (A)	电流 Current	最小时间 Minimum time (s)	最大时间 Maximum time (s)
110%	1A-40A	3600	∞
150%	1A-40A	0.500	300
200%	1A-40A	0.150	20
350%	1A-40A	0.040	0.500
600%	1A-40A	0.020	0.100



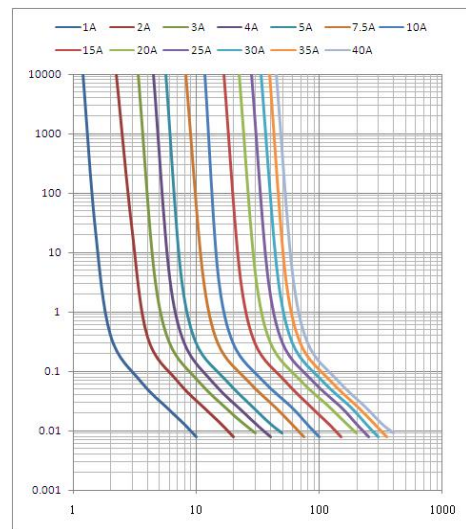
Rated Voltage 额定电压	80VDC	Characteristic 特性	F 快断
Rated Current 额定电流	1A-40A	Breaking Capacity 分断能力	DC1000A
Meet the Requirement 符合要求	UL248、ISO8820、 欧盟和 RoHS 指令	Remarks 备注	UL



产品外形尺寸 (mm) /Overall dimensions of the product (mm)



电流特性曲线图/Current characteristic curve



产品型号/Product type

Model 型号	Product code 产品代码	Rated current 额定电流 A	I ² t (A ² Sec)	Voltage drop 电压降 mV	Pigment 颜色
DFN-H	DFN-H-1	1	0.4	174	黑色 (Black)
	DFN-H-2	2	1.5	140	灰色 (Gray)
	DFN-H-3	3	6.3	137	浅紫色 (Violet)
	DFN-H-4	4	13	135	粉红色 (Pink)
	DFN-H-5	5	25	125	浅棕色 (Tan)
	DFN-H-7.5	7.5	56	115	棕色 (Brown)
	DFN-H-10	10	110	110	红色 (Red)
	DFN-H-15	15	295	102	蓝色 (Blue)
	DFN-H-20	20	480	96	黄色 (Yellow)
	DFN-H-25	25	1000	90	透明色 (Clear)
	DFN-H-30	30	1460	86	绿色 (Green)
	DFN-H-35	35	2205	88	深绿色 (Dark Green)
	DFN-H-40	40	3200	95	橙色 (Orange)

性能标准/Performance criteria

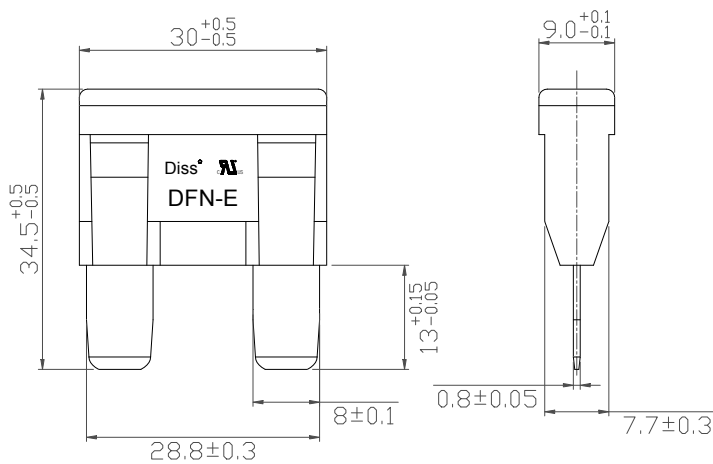
测试电流项目 Test current item (A)	电流 Current	最小时间 Minimum time (s)	最大时间 Maximum time (s)
110%	1A-40A	3600	∞
150%	1A-40A	0.500	300
200%	1A-40A	0.150	20
350%	1A-40A	0.040	0.500
600%	1A-40A	0.020	0.100



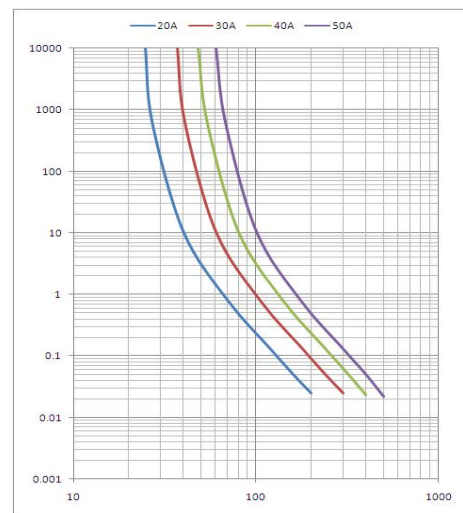
Rated Voltage 额定电压	80VDC	Characteristic 特性	F 快断
Rated Current 额定电流	20A-60A	Breaking Capacity 分断能力	DC1000A
Meet the Requirement 符合要求	UL248-13、 ISO8820、 欧盟和 RoHS 指令	Remarks 备注	UL



产品外形尺寸 (mm) /Overall dimensions of the product (mm)



电流特性曲线图/Current characteristic curve



产品型号/Product type

Model 型号	Product code 产品代码	Rated current 额定电流 A	I ² t (A ² Sec)	Voltage drop 电压降 mV	Pigment 颜色
DFN-E	DFN-E-20	20	3500	100	黄色 (Yellow)
	DFN-E-30	30	8200	97	绿色 (Green)
	DFN-E-40	40	14200	93	橙色 (Orange)
	DFN-E-50	50	22500	90	红色 (red)
	DFN-E-60	60	23000	95	蓝色 (Blue)

性能标准/Performance criteria

测试电流项目 Test current item (A)	电流 Current	最小时间 Minimum time (s)	最大时间 Maximum time (s)
110%	20A-60A	360000s	-
150%	20A-60A	-	1800s
200%	20A-60A	2s	60s
350%	20A-60A	0.20s	7s
600%	20A-60A	0.040s	1s

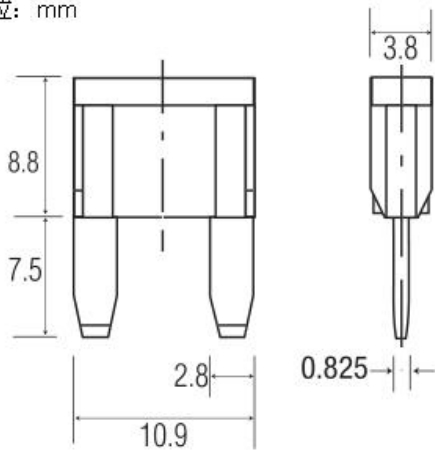


Rated Voltage 额定电压	32VDC	Characteristic 特性	F 快断
Rated Current 额定电流	2A-30A	Breaking Capacity 分断能力	DC1000A
Meet the Requirement 符合要求	UL248、ISO8820、 欧盟和 RoHS 指令	Remarks 备注	UL

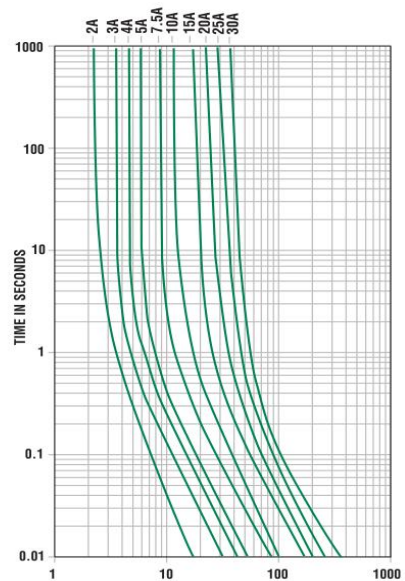


产品外形尺寸 (mm) /Overall dimensions of the product (mm)

单位: mm



电流特性曲线图/Current characteristic curve



产品型号/Product type

Model 型号	Product code 产品代码	Rated current 额定电流 A	I ² t (A ² S ec)	Voltage drop 电压降 mV	Pigment 颜色
DKN -A	DKN-A-2	2	2.8	170	灰色 (Gray)
	DKN-A-3	3	9.3	152	浅紫色 (Violet)
	DKN-A-4	4	17	120	粉红色 (Pink)
	DKN-A-5	5	24	128	浅棕色 (Tan)
	DKN-A-7.5	7.5	66	135	棕色 (Brown)
	DKN-A-10	10	92	108	红色 (Red)
	DKN-A-15	15	270	98	蓝色 (Blue)
	DKN-A-20	20	380	96	黄色 (Yellow)
	DKN-A-25	25	620	85	透明色 (Clear)
	DKN-A-30	30	1120	86	绿色 (Green)

性能标准/Performance criteria

测试电流项目 Test current item (A)	电流 Current	最小时间 Minimum time (s)	最大时间 Maximum time (s)
110%	2A-30A	360000	∞
135%	2A-30A	0.75	600
200%	2A-30A	0.15	5.0
350%	2A-30A	0.08	0.5
600%	2A-30A	0.03	0.1

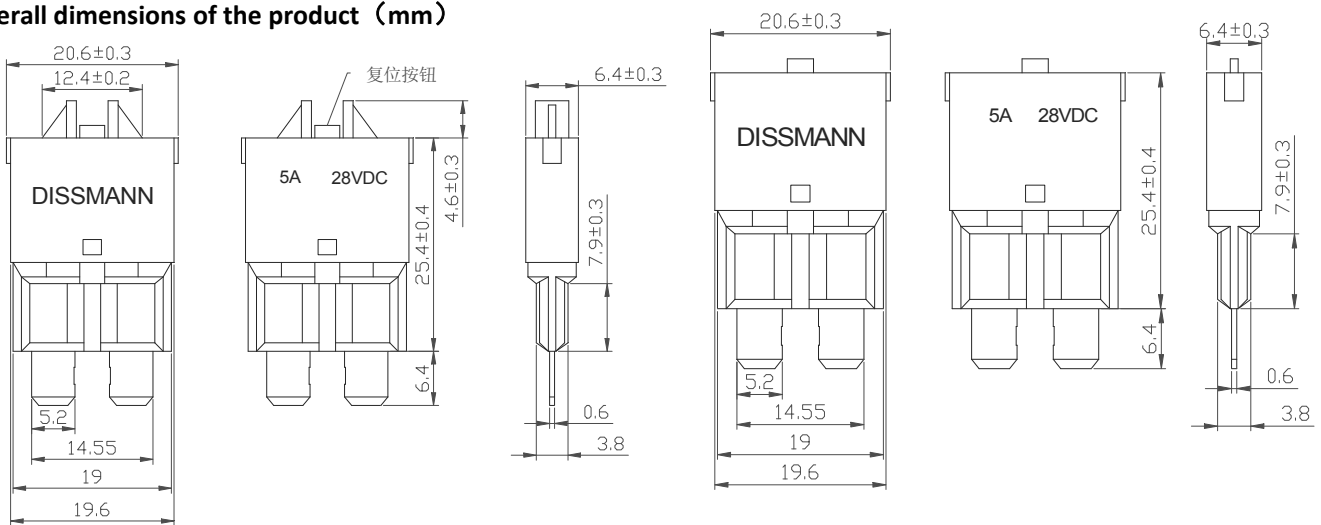


Rated Voltage 额定电压	28VDC	Characteristic 特性	Recoverable 可恢复
Rated Current 额定电流	5A-30A	Breaking Capacity 分断能力	
Meet the Requirement 符合要求	SAE J553; SAE J1284; ISO 8820-3; DIN 72581-3 类型 C 欧盟和 RoHS 指令	Remarks 备注	



产品外形尺寸 (mm) /

Overall dimensions of the product (mm)



产品型号/Product type

Model 型号	Product code 产品代码	Rated current 额定电流 A	Pigment 颜色
DFR-A	DFR-A-5	5	浅棕色 (Tan)
	DFR-A-10	10	红色 (Red)
	DFR-A-15	15	蓝色 (Blue)
	DFR-A-20	20	黄色 (Yellow)
	DFR-A-30	30	绿色 (Green)

性能标准/Performance criteria

测试电流项目 Test current item (A)	最小时间 Minimum time (s)	最大时间 Maximum time (s)
70%	3600s	∞
100%	1800s	∞
135%	3s	900s
160%	2s	120s
200%	0	40s
350%	350ms	6s
600%	0	2s